

SINGLE POLE, ONE END GROUNDED MODELS

DESCRIPTION:

Allanson's Electronic Ignitors have proven to be durable, effective ignition components that delivers dependable power whether your application calls for 120 Volts or 240 Volts. The 2260/2265 series are versatile, light-weight and compact to meet your needs. With four different types to choose from, installation on any application will be quick and effortless. These energy efficient ignitors are designed for constant duty, drawing only ½ an amp and have full wave output.

FEATURES:

- Easy conversion with mounting tabs and primary wire connector
- No clumsy connections
- Extended life expectancy and energy efficient
- Meet requirements for EMI/RFI conditions
- Quick and easy to install
- Optional secondary connector kit



Input Supply Frequency (Hz):	50/60
Secondary Frequency (kHz):	>20
Storage Temperature (degrees °C):	-40 to +80
Operating Temperature (degrees °C):	-30 to +40
Operating Relative Humidity (%):	90
Loading Air Gap (inches):	1/16 - 1/8

TECHNICAL SPECIFICATION:

120 VOLTS

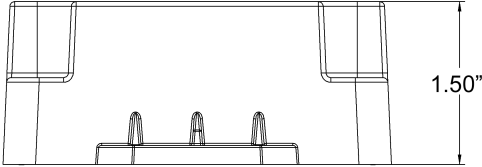
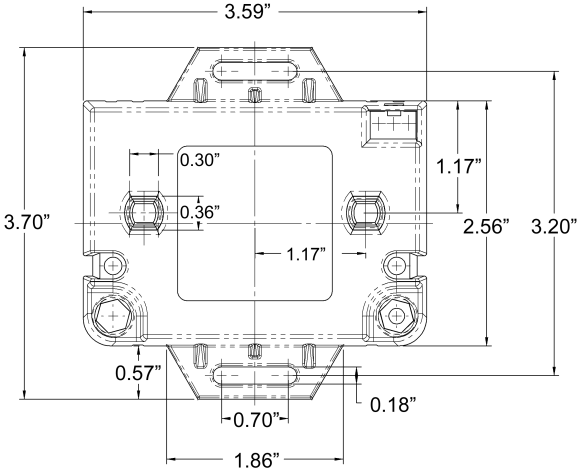
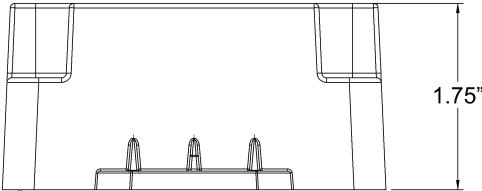
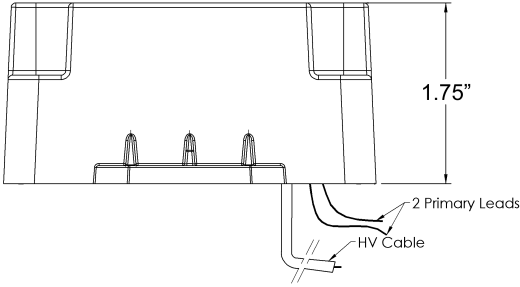
MODEL	DESCRIPTION	Pri A	Sec KVpk	mA	VA	LENGTH	DEPTH	HEIGHT	Wt
2260-TP	Mtg tabs / primary plug set with pig tails	0.5	15.6	28	72	3.6	2.5	1.5	3/4 lb
2260-TW	Mtg tabs / traditional bottom exit pig tails					3.6	2.6	1.8	
2260-P	Primary wire plug with pig tails set only					3.6	2.5	1.5	
2260-TWG	Mtg tabs / traditional bottom exit pig tails, 18" H.V. Lead					3.6	2.6	1.8	

230 VOLTS

MODEL	DESCRIPTION	Pri A	Sec KVpk	mA	VA	LENGTH	DEPTH	HEIGHT	Wt
2265-TP	Mtg tabs / primary plug set with pig tails	0.5	15.6	30	72	3.6	2.5	1.5	3/4 lb
2265-TW	Mtg tabs / traditional bottom exit pig tails					3.6	2.6	1.8	
2265-P	Primary wire plug with pig tails set only					3.6	2.5	1.5	
2265-TWG	Mtg tabs / traditional bottom exit pig tails, 18" H.V. Lead					3.6	2.6	1.8	



MECHANICAL SPECIFICATION:

MODEL	SIDE VIEW	TOP VIEW
2260-TP 2265-TP		
2260-TW 2265-TW		
2260-TWG 2265-TWG		
2260-P 2265-P	