

- GB** **Forced draught gas burners**
- E** **Quemadores de gas de aire soplado**
- P** **Queimadores a gás com ar insuflado**

One stage operation
Funcionamiento a 1 llama
Funcionamento a 1 chama



CODE - CÓDIGO	MODEL - MODELO	TYPE - TIPO
3788500 - 3788510	RS 34/1 MZ	886 T
3788501 - 3788511	RS 34/1 MZ	886 T
3788600 - 3788610	RS 44/1 MZ	873 T
3788601 - 3788611	RS 44/1 MZ	873 T

DECLARATION OF CONFORMITY A.R. 8/01/2004 & 17/07/2009 – Belgium

Producer: RIELLO S.p.A.
I - 37045 Legnago (VR)
Tel. +39.0442.630111

Distributed by: RIELLO NV
Ninovesteenweg 198
9320 Erembodegem
Tel. (053) 769 030
Fax. (053) 789 440
e-mail. info@riello.be
URL. www.riello.be

This document certifies that the series of devices specified below is in compliance with the model as described in the EC Declaration of Conformity, and has been manufactured and distributed in compliance with the requirements defined in the Legislative Decree of 8 January 2004 and 17 July 2009.

Type of product: Blown type gas burners

		Model	
		886 T	873 T
		RS 34/1 MZ	RS 44/1 MZ
Values measured *	average NOx (mg/kWh)	100	95
	max CO (mg/kWh)	9	8

* Natural gas operation (Fam. 2)

Regulation applied: EN 676 and A.R. of 8 January 2004 - 17 July 2009

Controlling organisation: TÜV SÜD Industrie Service GmbH
Ridlerstrasse, 65
80339 München DEUTSCHLAND

Date: 31/03/2010

Manufacturer's Declaration

RIELLO S.p.A. declares that the following products comply with the NOx emission limits specified by German standard "1. BImSchV release 26.01.2010".

Product	Type	Model	Power
Blown type gas burners	873 T	RS 44/1 MZ	86-550 kW

Legnago, 01.08.2011

Ing. G. Conticini
Burners Division Department
RIELLO S.p.A.



- ▶ The burner **has EC marking** and conforms to the basic requisites of the following Directives:
 - EC Reg. N.: **0085BR0380** in accordance with 90/396/EEC;
 - Electromagnetic Compatibility Directive 2004/108/EC;
 - Low Voltage Directive 2006/95/EC;
 - Machine Directive 2006/42/EC;
- ▶ The burner meets protection level of IP 40 as EN 60529.

IDENTIFICATION

The Identification Plate on the product gives the serial number, model and main technical and performance data. If the Identification Plate is tampered with, removed or missing, the product cannot be clearly identified, thus making any installation or maintenance work potentially dangerous.

GENERAL WARNINGS

The dimension of the boiler's combustion chamber must respond to specific values, in order to guarantee a combustion with the lowest polluting emissions rate.

You are therefore advised to consult the Technical Assistance Department before choosing this type of burner for the combination with a boiler.

Qualified personnel are those with the professional and technical requirements indicated by Law no. 46 dated 5 March 1990. The commercial organisation has a widespread network of agencies and technical offices whose personnel participates periodically in instructional and refresher courses at the company training centre.

This burner must only be used for the application it was designed for.

The manufacturer cannot accept responsibility for any damage to persons, animals or property due to errors in installation or in the burner adjustment, or due to improper or unreasonable use or non-observance of the technical instructions enclosed with the burner, or due to the intervention of unqualified personnel.

USER INFORMATION


If faults arise in firing or operation, the burner performs a "safety stop", which is signalled by the red burner lockout LED. To rearm start-up conditions, press the reset button. When the burner starts up again, the red LED goes out.

This operation can be repeated for a maximum of 3 times. If the "safety stop" recurs, then the Technical Assistance Centre must be contacted.

BASIC SAFETY MEASURES

- ▶ Children or inexpert persons must not use the appliance.
- ▶ Under no circumstances must the intake grids, dissipation grids and ventilation vents in the installation room be covered up with cloths, paper or any other material.
- ▶ Unauthorised persons must not attempt to repair the appliance
- ▶ It is dangerous to pull or twist the electric leads.
- ▶ Cleaning operations must not be performed if the appliance is not disconnected from the main power supply.
- ▶ Do not clean the burner or its parts with inflammable substances (e.g. petrol, alcohol, etc.).
The cover must be cleaned with soapy water.
- ▶ Do not place anything on the burner.
- ▶ Do not leave containers and inflammable products in the installation room.

The following symbols are used in this manual:

 **ATTENTION** = for actions requiring special care and adequate preparation.

 **FORBIDDEN** = for actions **THAT MUST NOT** be performed.

TECHNICAL DATA	page 2
Structural versions	2
Accessories	3
Burner description	4
Packaging - Weight	4
Max dimensions	4
Burner equipment	4
Firing rates	5
Test boiler	5
Commercial boilers	5
Gas pressure	6
INSTALLATION	8
Boiler plate	8
Blast tube length	8
Fixing the burner to the boiler	8
Combustion head setting	9
Gas feeding line	10
Gas train	10
Adjustment before first firing	11
Burner start-up	11
Burner firing	11
Burner calibration:	12
1 - Maximum output	12
2 - Air pressure switch	13
3 - Minimum gas pressure switch	13
Flame presence check	13
Burner operation	14
Final checks	15
Maintenance	15
Burner start-up cycle diagnostics	16
Reset of the control box and using diagnostics	16
Fault - Probable cause - Suggested remedy	17
Normal operation / flame detection time	18
Appendix	19
Electrical panel layout	20

N.B.

Figures mentioned in the text are identified as follows:

1)(A) =Part. 1 of figure A, same page as text;

1)(A)p.3 =Part .1 of figure A, page number 3.

INFORMATION ABOUT THE INSTRUCTION MANUAL

INTRODUCTION

The instruction manual supplied with the burner:

- is an integral and essential part of the product and must not be separated from it; it must therefore be kept carefully for any necessary consultation and must accompany the burner even if it is transferred to another owner or user, or to another system. If the manual is lost or damaged, another copy must be requested from the Technical Assistance Service **RIELLO** of the area;
- is designed for use by qualified personnel;
- offers important indications and instructions relating to the installation safety, start-up, use and maintenance of the burner.

DELIVERY OF THE SYSTEM AND THE INSTRUCTION MANUAL

When the system is delivered, it is important that:

- The instruction manual is supplied to the user by the system manufacturer, with the recommendation to keep it in the room where the heat generator is to be installed.
- The instruction manual shows:
 - the serial number of the burner;

.....

- the address and telephone number of the nearest Assistance Centre;

.....

.....

.....

- The system supplier carefully informs the user about:
 - the use of the system,
 - any further tests that may be necessary before the system is started up,
 - maintenance and the need to have the system checked at least once a year by the manufacturer or another specialised technician.

To ensure a periodic check, **RIELLO** recommends the drawing up of a Maintenance Contract.

TECHNICAL DATA

MODEL		RS 34/1 MZ		RS 44/1 MZ	
TYPE		886 T		873 T	
OUTPUT ⁽¹⁾		70 - 390 60 - 336		100 - 550 86 - 473	
FUEL		NATURAL GAS: G20 - G21 - G22 - G23 - G25			
		G20	G25	G20	G25
- net calorific value	kWh/Sm ³	9.45	8.13	9.45	8.13
	Mcal/Sm ³	8.2	7.0	8.2	7.0
- absolute density	kg/Sm ³	0.71	0.78	0.71	0.78
- max. delivery	Sm ³ /h	35	40	49	57
- pressure at maximum delivery ⁽²⁾	mbar	13,1	18,4	16,7	23,2
OPERATION		<ul style="list-style-type: none"> • On-Off (1 stop min each 24 hours). • One stage (all - nothing) 			
STANDARD APPLICATIONS		Boilers: water, steam, diathermic oil			
AMBIENT TEMPERATURE		°C 0 - 40			
COMBUSTION AIR TEMPERATURE		°C max 60			
ELECTRICAL SUPPLY		V 230 ~ +/-10%			
		Hz 50/60 - single-phase			
ELECTRIC MOTOR	rpm	2800/3400		2820/3400	
	W	300		420	
	V	220 - 240		220 - 240	
	A	2.4		3	
ACCELERATION CURRENT	A	15		17	
WORKING CURRENT	A	3.2		3.5	
MOTOR CAPACITOR	µF/V	12.5/400		12.5/450	
IGNITION TRANSFORMER	V1 - V2	230 V - 1 x 15kV			
	I1 - I2	1 A - 25mA			
ELECTRICAL OUTPUT CONSUMPTION	W max	600		700	
PROTECTION LEVEL		IP 40			
NOISE ⁽³⁾	SOUND PRESSURE	dBA 68		70	
	SOUND POWER	79		81	
APPROVAL		CE 0085BR0380		0085BR0380	

(1) Reference conditions: Ambient temperature 20°C - Gas temperature 15°C - Barometric pressure 1013 mbar - Altitude 0 m a.s.l.

(2) Pressure at the socket 8)(A)p.4 with zero pressure in the combustion chamber, at the maximum output of the burner.

(3) Noise emission tests carried out as specified in EN 15036-1 with measurement accuracy $\sigma = \pm 1.5$ dB, in the manufacturer's combustion chamber with burner operating on test boiler at maximum output.

STRUCTURAL VERSIONS

Model	Blast tube length mm
RS 34/1 MZ	216
	351
RS 44/1 MZ	216
	351

GAS CATEGORIES

COUNTRY	CATEGORY
IT - AT - GR - DK - FI - SE	II ₂ H3B/P
ES - GB - IE - PT	II ₂ H3P
NL	II ₂ L3B/P
FR	II ₂ E _r 3P
DE	II ₂ ELL3B/P
BE	I ₂ E(R)B, I ₃ P
LU	II ₂ E 3B/P

ACCESSORIES (optional):

• RADIO DISTURBANCE PROTECTION KIT

If the burner is installed in places particularly subject to radio disturbance (emission of signals exceeding 10 V/m) owing to the presence of an INVERTER, or in applications where the length of the thermostat connections exceeds 20 metres, a protection kit is available as an interface between the control box and the burner.

BURNER	RS 34/1 MZ - RS 44/1 MZ
Code	3010386

• KIT LONG HEAD

BURNER	RS 34/1 MZ	RS 44/1 MZ
Code	3010428	3010429

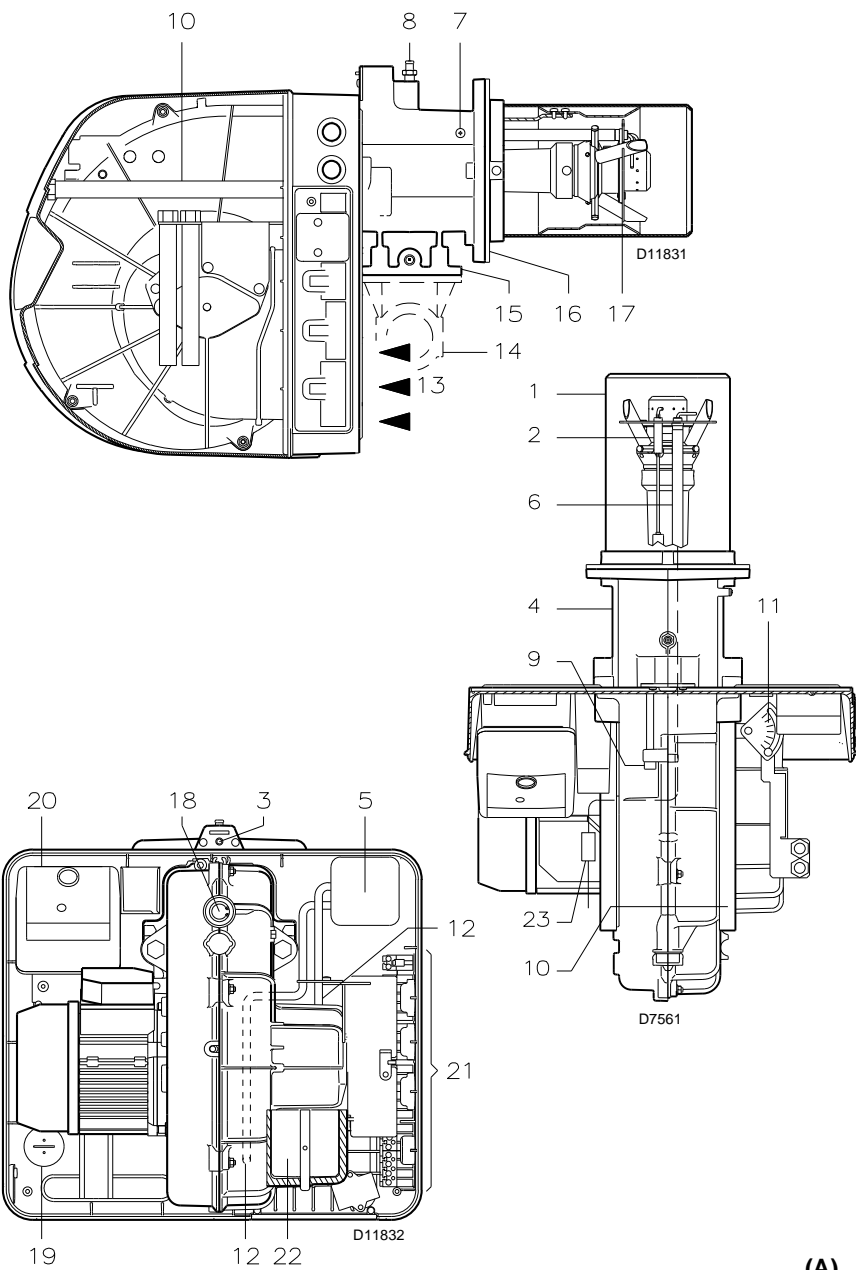
• **KIT FOR LPG OPERATION:** the kit allows the RS 34-44/1 MZ burners to burn LPG.

BURNER	RS 34/1 MZ	RS 44/1 MZ
Output kW	80 - 390 kW	120 - 530 kW
Blast tube length mm	216 - 351	216 - 351
Code	3010423	3010424

• KIT MAXIMUM GAS PRESSURE SWITCH	Cod. 3010418
• KIT CLEAN CONTACTS	Cod. 3010419
• KIT POST-PURGING	Cod. 3010452
• KIT GROUND FAULT INTERRUPTER	Cod. 3010448
• KIT CONTINUOUS PURGING	Cod. 3010449
• KIT HOURCOUNTER	Cod. 3010450
• KIT INTERFACE ADAPTER RMG TO PC	Cod. 3002719

• **GAS TRAIN ACCORDING TO EN 676 (with valves, pressure governor and filter):** see page 10.

NOTE: The installer is responsible for the addition of any safety device not foreseen in this manual.



BURNER DESCRIPTION (A)

- 1 Combustion head
- 2 Ignition electrode
- 3 Screw for combustion head adjustment
- 4 Sleeve
- 5 Minimum air pressure switch (differential operating type)
- 6 Flame sensor probe
- 7 Air pressure test point
- 8 Gas pressure test point and head fixing screw
- 9 Screw securing fan to pipe coupling
- 10 Slide bars for opening the burner and inspecting the combustion head
- 11 Indexed selector. Opens the fan gate to the value needed by the burner delivery.
- 12 Pressure test point of
- 13 Air inlet to fan
- 14 Gas input pipework
- 15 Gas train connection flange
- 16 Boiler fixing flange
- 17 Flame stability disc
- 18 Flame inspection window
- 19 Motor capacitor (RS 34/1 MZ)
- 20 Control box with lockout pilot light and lock-out reset button
- 21 Plugs for electrical wiring
- 22 Air damper
- 23 Plug-socket on ionisation probe cable

Note

If the control box 20(A) pushbutton (**red led**) lights up, it indicates that the burner is in lock-out.

To reset, hold the pushbutton down for between 1 and 3 seconds.

PACKAGING - WEIGHT (B) - approximate measurements

- The burner are shipped in cardboard boxes with the maximum dimensions shown in Table (B).
- The weight of the burner complete with packaging is indicated in Table (B).

MAX. DIMENSIONS (C) - approximate measurements

The maximum dimensions of the burner are given in fig. (C).

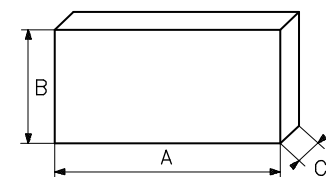
Note that if you need to examine the combustion head, the burner must be pulled backward on the slide bars.

The maximum dimension of the burner, without the cover, when open is given by measurement H.

BURNER EQUIPMENT

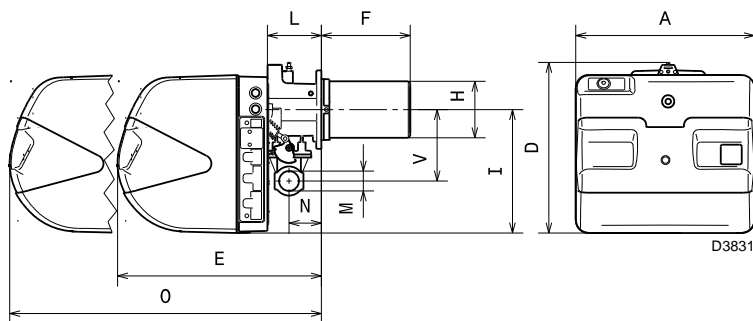
- 1 - Gas train flange
- 1 - Flange gasket
- 4 - Flange fixing screws M 8 x 25
- 4 - Screws to secure the burner flange to the boiler: M 8 x 25
- 1 - Thermal insulation screen
- 3 - Plugs for electrical connection
- 1 - Instruction
- 1 - Spare parts list

mm	A	B	C	kg
RS 34/1 MZ	1000	500	485	-
RS 44/1 MZ	1000	500	485	-



D88

(B)

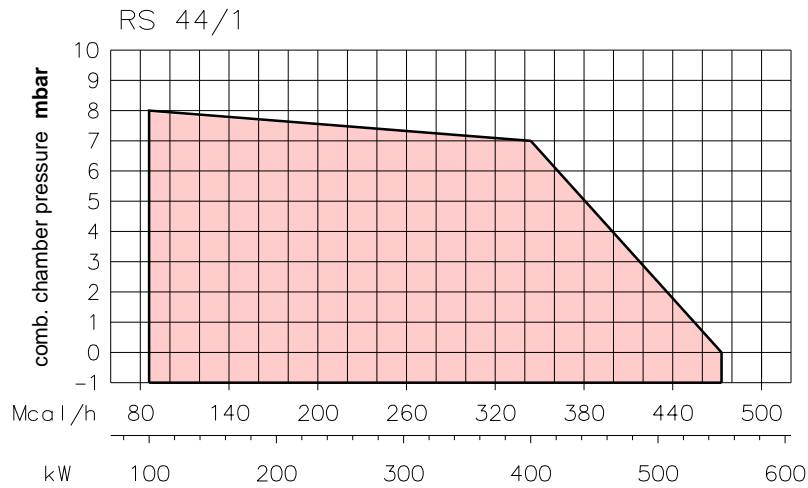
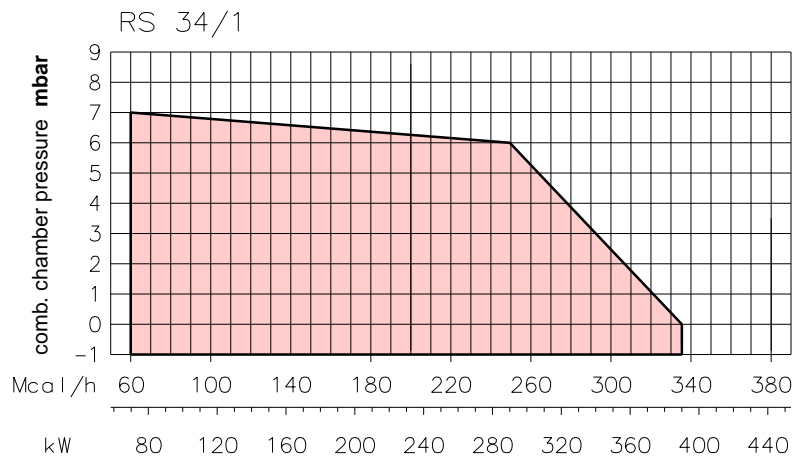


D3831

(C)

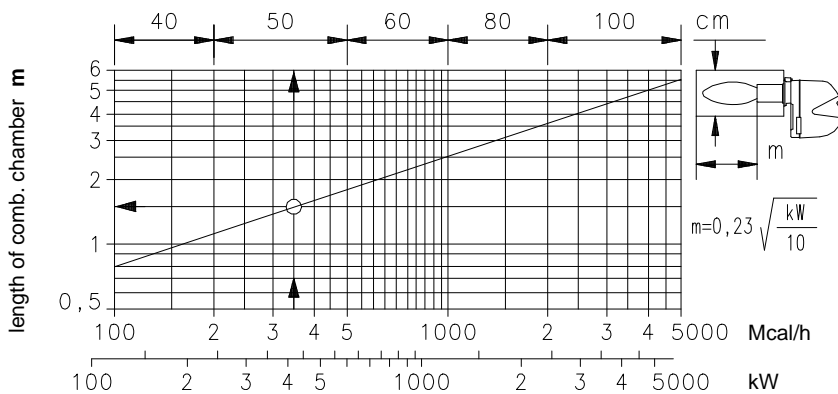
mm	A	D	E	F (1)	H	I	L	O	N	V	M
RS 34/1 MZ	442	422	508	216-351	140	305	138	780	84	177	1"1/2
RS 44/1 MZ	442	422	508	216-351	152	305	138	780	84	177	1"1/2

(1) Blast tube: short-long



(A)

D8589



(B)

D497

FIRING RATES (A)

The burner output must be selected within the area of the adjacent diagrams.

Attention

the FIRING RATE value range has been obtained considering an ambient temperature of 20 °C, and an atmospheric pressure of 1013 mbar (approx. 0 m a.s.l.) and with the combustion head adjusted as shown on page 9.

TEST BOILER (B)

The firing rates were set in relation to special test boilers, according to EN 676 regulations.

Figure (B) indicates the diameter and length of the test combustion chamber.

Example: Output 350 Mcal/h:
diameter = 50 cm - length 1.5 m.

COMMERCIAL BOILERS

The burner/boiler combination does not pose any problems if the boiler is CE approved and its combustion chamber dimensions are similar to those indicated in diagram (B).

If the burner must be combined with a commercial boiler that has not been CE type-approved and/or its combustion chamber dimensions are clearly smaller than those indicated in diagram (B), consult the manufacturer.

RS 34/1 MZ One-stage gas train Δp (mbar)

kW	1	2					
		MBC-DLE-120 (Rp 3/4")	MB 407 S2 (Rp 3/4")	MB 410 S2 (Rp 1.1/4")	MB 412 S2 (Rp 1.1/4")	MB 415 S2 (Rp 1.1/2")	MB 420 S2 (Rp 2")
70	0,6	5,2	3,0	--	--	--	--
75	0,6	5,6	3,4	2,1	--	--	--
100	1,0	8,2	5,6	2,9	--	--	--
125	1,4	11,1	8,0	4,2	2,1	--	--
150	2,4	15,7	11,0	5,6	2,8	--	--
175	3,5	21,1	14,4	7,2	3,6	--	--
200	4,6	27,2	18,1	9,0	4,5	--	--
225	5,8	33,9	22,1	11,0	5,5	3,2	--
250	6,9	41,3	26,4	13,2	6,5	3,3	--
275	8,0	49,4	31,3	15,5	7,6	3,8	--
300	9,1	58,0	36,6	18,0	8,7	4,3	--
325	10,2	67,2	42,2	20,5	9,9	4,8	3,2
350	11,3	76,7	47,8	22,9	11,2	5,4	3,4
375	12,4	86,7	53,7	25,4	12,7	5,9	3,8
390	13,1		57,4	27,0	13,5	6,3	4,0

RS 44/1 MZ One-stage gas train Δp (mbar)

kW	1	2				
		MB 407 S5 (Rp 3/4")	MB 410 S5 (Rp 1.1/4")	MB 412 S2 (Rp 1.1/4")	MB 415 S2 (Rp 1.1/2")	MB 420 S2 (Rp 2")
100	0,2	5,6	2,9	2,1	3,2	3,2
150	1,6	11,0	5,6	2,8	3,2	3,2
200	3,0	18,1	9,0	4,5	3,2	3,2
250	4,9	26,4	13,2	6,5	3,3	3,2
300	6,9	36,6	18,0	8,7	4,3	3,2
350	8,9	47,8	22,9	11,2	5,4	3,4
400	10,8	59,9	28,1	14,0	6,5	4,1
450	12,8	73,2	33,6	16,8	7,7	4,9
500	14,7	87,6	39,5	19,8	9,0	5,7
550	16,7	103,0	45,8	23,1	10,2	6,6

RS 34/1 MZ Two-stage gas train Δp (mbar)

kW	1	2				
		MB-ZR 407 S2 (Rp 3/4")	MB-ZR 410 S2 (Rp 1")	MB-ZR 412 S2 (Rp 1.1/4")	MB-ZR 415 S2 (Rp 1.1/2")	MB-ZR 420 S2 (Rp 2")
70	0,6	3,0	2,1	2,1	--	--
75	0,6	3,4	2,1	2,1	--	--
100	1,0	5,6	2,9	2,1	--	--
125	1,4	8,0	4,2	2,1	--	--
150	2,4	11,0	5,6	2,8	--	--
175	3,5	14,4	7,2	3,6	--	--
200	4,6	18,1	9,0	4,5	--	--
225	5,8	22,1	11,0	5,5	3,2	--
250	6,9	26,4	13,2	6,5	3,3	--
275	8,0	31,3	15,5	7,6	3,8	--
300	9,1	36,6	18,0	8,7	4,3	--
325	10,2	42,2	20,5	9,9	4,8	3,2
350	11,3	47,8	22,9	11,2	5,4	3,4
375	12,4	53,7	25,4	12,7	5,9	3,8
390	13,1	57,4	27,0	13,5	6,3	4,0

GAS PRESSURE

The adjacent tables show minimum pressure losses along the gas supply line depending on the burner output.

Column 1

Pressure loss at combustion head.

Pressure of the gas at the socket 1)(B)p.7, with combustion chamber at 0 mbar.

Column 2

Pressure loss of gas train 2)(B)p.7 includes: one stage or two stage adjustment valve VR, safety valve VS (both fully open), pressure governor R, filter F.

The values shown in the various tables refer to:

natural gas G 20 PCI 9.45 kWh/Sm³
(8.2 Mcal/Sm³)

With:

natural gas G 25 PCI 8.13 kWh/Sm³
(7.0 Mcal/Sm³)

multiply the values of the table:

- column 1: by 1.5;

- column 2: by 1.35.

Calculate the approximate maximum output of the burner in this way:

- subtract the combustion chamber pressure from the gas pressure measured at test point 1)(B)p.7.

- Find, in the table relating to the burner concerned, the pressure value closest to the result of the subtraction.

- Read the corresponding output on the left.

Example - RS 34/1/M Z:

- Maximum output operation
- Natural gas G 20 PCI 9.45 kWh/Sm³
- Gas pressure at test point 1)(B)p.7 = 8.9 mbar
- Pressure in combustion chamber = 2 mbar
8.9 - 2 = 6.9 mbar

An output of 250 kW shown in table RS 34/1 corresponds to 6.9 mbar pressure, column 1.

This value serves as a rough guide; the effective delivery must be measured at the gas meter.

To calculate the required gas pressure at test point 1)(B)p.7, set the output required from the burner:

- Find the nearest output value in the table for the burner in question.

- Read, on the right (column 1) the socket pressure 1)(B)p.7.

- Add this value to the estimated pressure in the combustion chamber.

Example - RS 34/1 MZ:

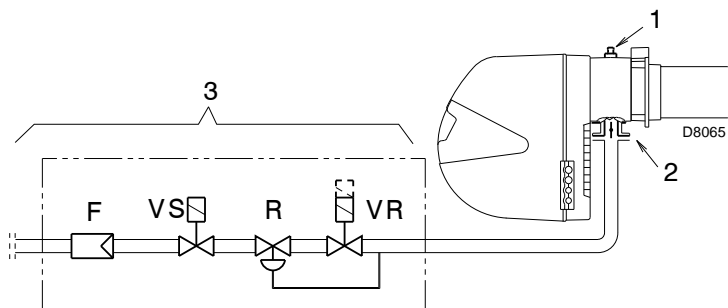
- Required burner output: 250 kW
- Natural gas G 20 PCI 9.45 kWh/Sm³
- Pressure of the gas at an output of 250 kW, from the table RS 34/1 MZ, column 1 = 6.9 mbar
- Pressure in combustion chamber = 2 mbar
6.9 + 2 = 8.9 mbar
pressure required at test point 1)(B)p.7.

(A)

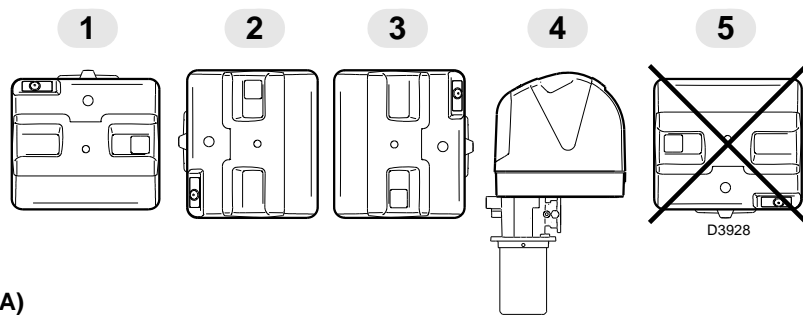
RS 44/1 MZ Two-stage gas train Δp (mbar)

kW	1	2			
		MB-ZR 410 S2 (Rp 1")	MB-ZR 412 S2 (Rp 1.1/4")	MB-ZR 415 S2 (Rp 1.1/2")	MB-ZR 420 S2 (Rp 2")
100	0,2	2,9	2,1	--	--
150	1,6	5,6	2,8	--	--
200	3,0	9,0	4,5	3,2	--
250	4,9	13,2	6,5	3,3	--
300	6,9	18,0	8,7	4,3	3,2
350	8,9	22,9	11,2	5,4	3,4
400	10,8	28,1	14,0	6,5	4,1
450	12,8	33,6	16,8	7,7	4,9
500	14,7	39,5	19,8	9,0	5,7
550	16,7	45,8	23,1	10,2	6,6

(A)



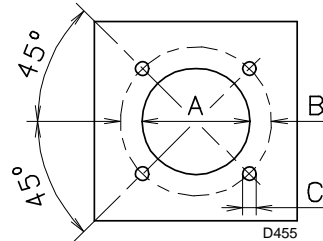
(B)



(A)

mm	A	B	C
RS 34/1 MZ	160	224	M8
RS 44/1 MZ	160	224	M8

(B)



INSTALLATION

⚠ THE BURNER MUST BE INSTALLED IN CONFORMITY WITH LEGISLATION AND LOCAL STANDARDS.

WORKING POSITION (A)

⚠ The burner is designed to work only in the positions **1, 2, 3 and 4**.

Installation **1** is preferable, as it is the only one that allows the maintenance operations as described in this manual. Installations **2, 3 and 4** allow the working, but make the operations of maintenance and checking of the combustion head more difficult page 15.

⊘ Any other position could compromise the correct working of the appliance.

Installation **5** is forbidden, for safety reasons.

BOILER PLATE (B)

Pierce the closing plate of the combustion chamber, as in (B). The position of the threaded holes can be marked using the thermal screen supplied with the burner.

BLAST TUBE LENGTH (C)

The length of the blast tube must be selected according to the indications provided by the manufacturer of the boiler, and in any case it must be greater than the thickness of the boiler door complete with its fettling.

The range of lengths available, L (mm), is as follows:

Blast tube 9)	RS 34/1 MZ	RS 44/1 MZ
• short	216	216
• long	351	351

For boilers with front flue passes 6) or flame inversion chambers, protective fettling in refractory material 8), must be inserted between the boiler fettling 7) and the blast tube 9).

This protective fettling must not compromise the extraction of the blast tube.

For boilers with a water-cooled frontpiece, a heat-resistant cover is not necessary 7)-8)(C), unless expressly requested from the boiler manufacturer.

FIXING THE BURNER TO THE BOILER (C)

Before fixing the burner to the boiler, check (from the opening of the blast tube) that the probe and the electrode are correctly positioned, as in (D).

Separate the combustion head from the rest of the burner, fig. (C):

- remove the screws 2) from the two slide bars 3);
- remove screw 1) and pull the burner back on slide bars 3) by about 100 mm;
- disconnect the probe and electrode leads, then unthread the burner completely from the guides.

Fix the unit 4)(C) to the boiler plate, inserting the supplied insulating gasket 5)(C).

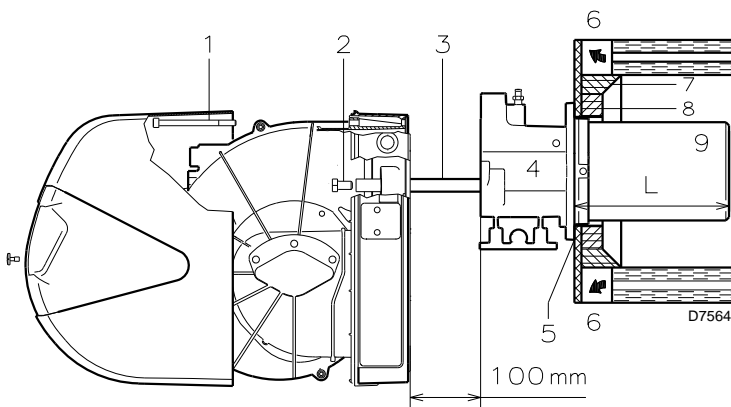
Use the 4 screws, also supplied with the unit, after first protecting the thread with an anti-locking product. The seal between burner and boiler must be airtight.

If, in the previous check, the position of the probe or electrode was not correct, remove the screw 1)(E), extract the inner part 2)(E) of the head, and adjust them.

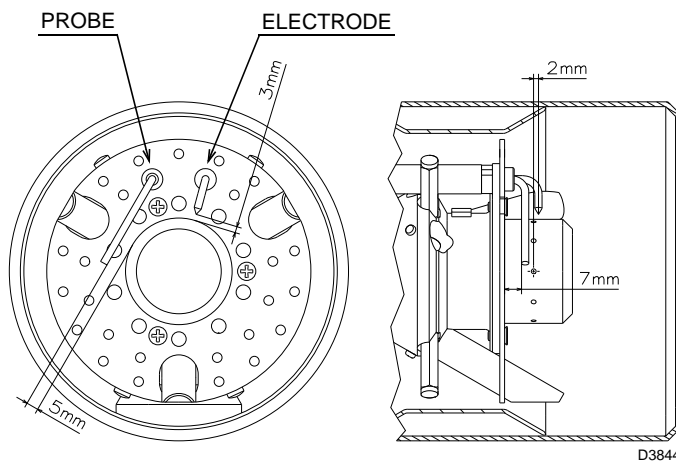
Do not rotate the probe: leave it as in (D).

If it is located too close to the ignition electrode, the control box amplifier may be damaged.

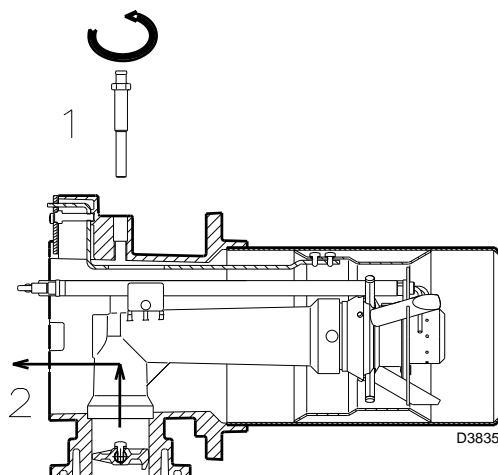
⚠ ATTENTION
Proceed with the assembly of the inner part 2)(E) of the combustion head, tightening the screw 1)(E) with a tightening torque of **4 ÷ 6 Nm**.



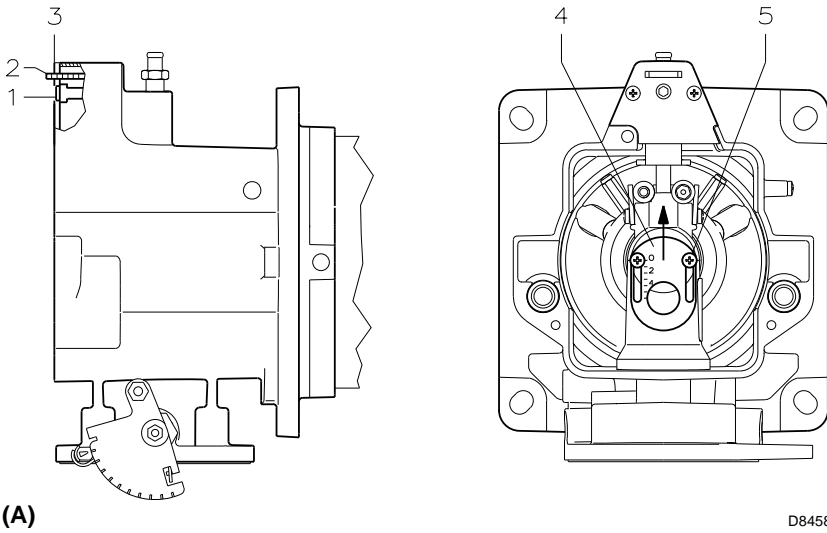
(C)



(D)



(E)



(A) D8458

COMBUSTION HEAD SETTING

Installation operations are now at the stage where the blast tube and sleeve are secured to the boiler as shown in fig. (A). It is therefore particularly easy to adjust the combustion head.

Air adjustment (A - B)

Rotate the screw 1)(A) until the notch on the lamina 2)(A) corresponds with the surface of the plate 3)(A).

Example:

RS 44/1 MZ burner, output = 300kW.
 From diagram (B) you can see that, for the MAX output of 300 kW, the air should be adjusted at notch 4, subtracted from the value of the pressure in the chamber. In this case, the loss of pressure in the combustion head is shown in column 1 on page 6 - 7.

Note

If the pressure in the chamber is equal to 0 mbar, the air is adjusted with reference to the broken line of the diagram (B).

Central air adjustment (A - C)

In case the application needs a particular setup, it is possible to modify the central air delivery using the ring nut 4)(A) up to the notch indicated in diagram (C).

In order to carry out this operation, unscrew the screws 5)(A) and lift up the ring nut 4)(A). At the end, tighten the screws 5)(A) again.

Once you have finished adjusting the head, reassemble the burner 4)(D) on the guides 3)(D) at about 100mm from the pipe coupling 5)(D) - burner in the position shown in fig. (C)p.8 - insert the cable of the probe and the cable of the electrode, then slide the burner as far as the pipe coupling, burner in the position shown in fig. (D).

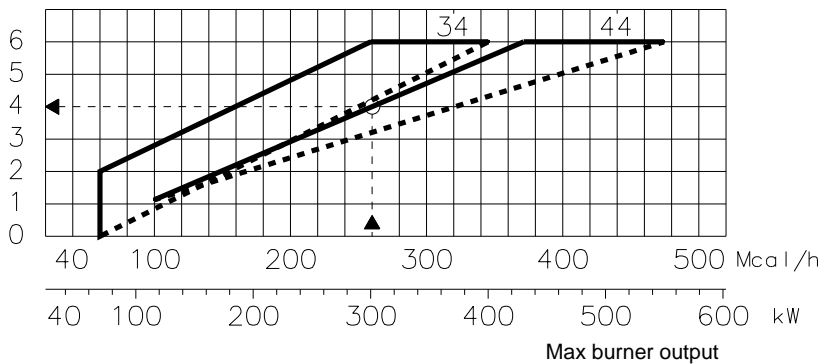
Refit the screws 2) on the guides 3).

Fix the burner to the pipe coupling with the screw 1).

Attention

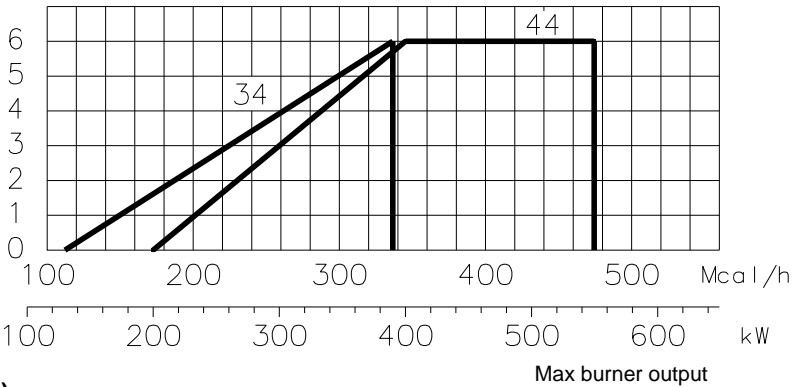
When fitting the burner on the two slide bars, it is advisable to gently draw out the high tension cable and flame detection probe cable until they are slightly stretched.

↓ N° Notches (air = gas)

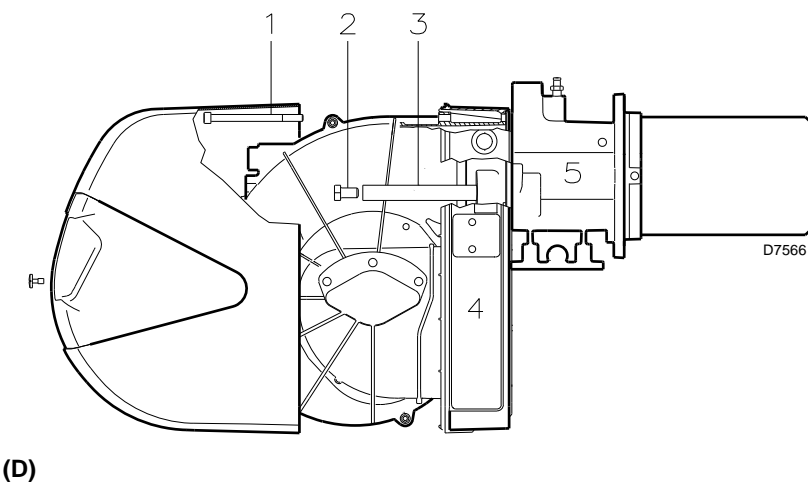


(B) D7565

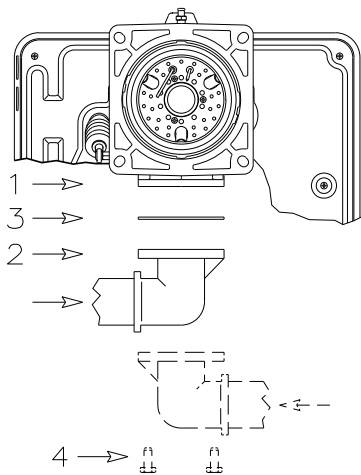
↓ N° Notches (air = gas)



(C) D8577



(D)



(A)

D3839

GAS FEEDING LINE

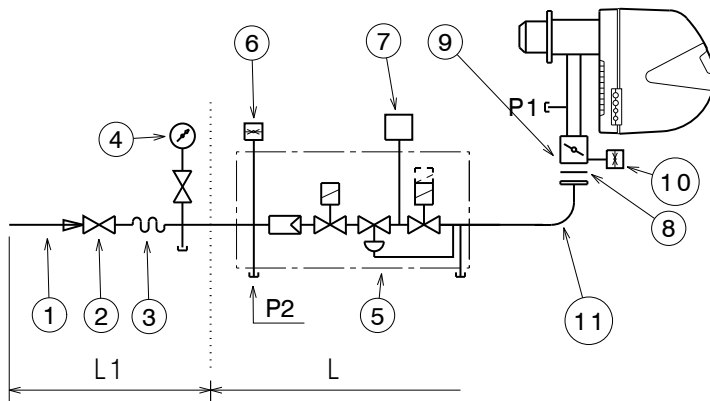
- The gas train must be connected to the gas attachment 1)(A), using the flange 2), gasket 3) and screws 4) supplied with the burner.
- The gas train can enter the burner from the right or left side, depending on which is the most convenient, see fig. (A).
- The gas solenoids must be as close as possible to the burner, to ensure that the gas reaches the combustion head within the safety time of 3s.

GAS TRAIN (B)

Approved, together with the burner, according to the regulation EN 676, and supplied separately from the burner, with the code indicated in the tables (C). It is possible to use the one-stage gas train of table (C) up to a power of 550 kW, limiting the ignition output according to the standard, with the aid of only the brake, as specified on page 12.

KEY TO LAY-OUT (B)

- 1 - Gas input pipe
 - 2 - Manual valve
 - 3 - Vibration damping joint
 - 4 - Pressure gauge with pushbutton cock
 - 5 - Multibloc, including:
 - filter (replaceable)
 - one-stage or two-stage working valve
 - pressure adjuster
 - 6 - Minimum gas pressure switch
 - 7 - Valve seal checking device.
 - In accordance with the standard EN 676, gas valve leak detection control devices are compulsory for burners with maximum outputs of more than 1200 kW.
 - 8 - Gasket
 - 9 - Gas train/burner adaptor
- P1 - Pressure at combustion head
 P2 - Up-line pressure of valves/adjuster



(B)

D8066

BURNERS AND RELATIVE GAS TRAINS APPROVED ACCORDING TO EN 676

GAS TRAINS L (One-stage)				BURNER		7	9
Code	Model	Ø	C.T.	RS 34/1	RS 44/1	Code	Code
3970602	MBC 120	3/4"	♣	•	-	-	3000824
3970553 3970229*	MB-DLE 407 S20	3/4"	-	•	-	3010123	3000824
3970599	MB-DLE 407 S52	3/4"	-	-	•	3010123	3000824
3970554 3970230*	MB-DLE 410 S20	1"	-	•	•	3010123	3000824
3970258	MB-DLE 410 S52	1"1/4	-	-	•	3010123	3000824
3970144 3970231*	MB-DLE 412 S20	1"1/4	-	•	•	3010123	-
3970180 3970232*	MB-DLE 415 S20	1"1/2	-	•	•	3010123	-
3970181 3970233* 3970182 3970234*	MB-DLE 420 S20	2"	- - ♦ ♦	•	•	3010123 3010123 - -	3000822

GAS TRAINS L (Two-stage)				BURNER		7	9
Code	Model	Ø	C.T.	RS 34/1	RS 44/1	Code	Code
3970046	MB-ZRDLE 407 S20	3/4"	-	•	-	3010123	3000824
3970079	MB-ZRDLE 410 S20	1"	-	•	•	3010123	3000824
3970152	MB-ZRDLE 412 S20	1"1/4	-	•	•	3010123	-
3970183	MB-ZRDLE 415 S20	1"1/2	-	•	•	3010123	-
3970184 3970185	MB-ZRDLE 420 S20	2"	- ♦	• •	• •	3010123 -	- 3000822

* Trains complete with 6-pin plug for connection to burner.

KEY TO LAY-OUT FOR TABLES (C)

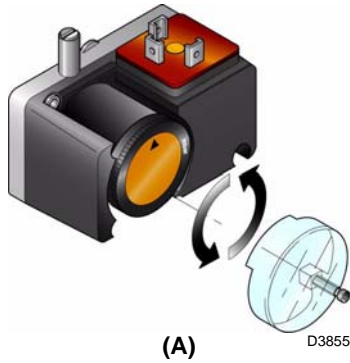
- C.T.= Checking device for gas valves seal:
- = Gas train without gas valve leak detection control device; device that can be ordered separately and assembled subsequently (see Column 7).
 - ♦ = Train with seal checking device already assembled.
 - ♣ = With this train the integrated leak detection cannot be activated.
- 7 = VPS valve leak detection control device. Supplied separately from gas train on request.
- 9 = Gas train/burner adaptor. Supplied separately from gas train on request.

Note

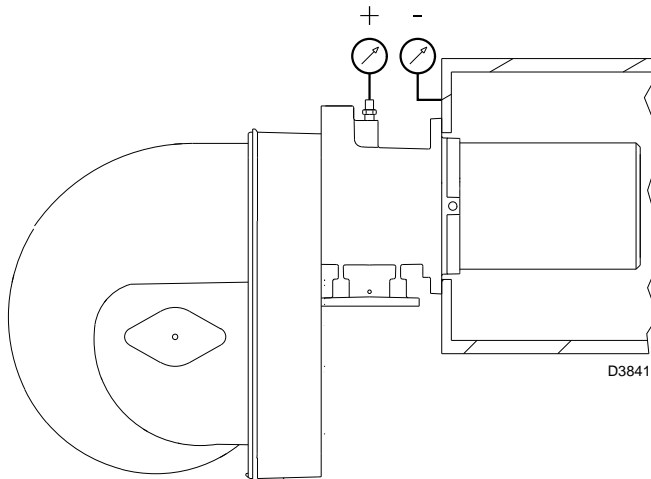
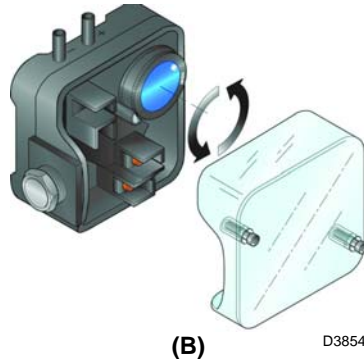
See the accompanying instructions for the adjustment of the gas train.

(C)

MIN GAS PRESSURE SWITCH



AIR PRESSURE SWITCH



ADJUSTMENTS BEFORE FIRST FIRING

⚠ ATTENTION

THE FIRST FIRING MUST BE CARRIED OUT BY QUALIFIED PERSONNEL WITH THE RIGHT INSTRUMENTS.

Adjustment of the combustion head, and air and gas deliveries has been illustrated on page 9. In addition, the following adjustments must also be made:

- open manual valves up-line from the gas train.
- Adjust the minimum gas pressure switch to the start of the scale (A).
- Adjust the air pressure switch to the start of the scale (B).
- Purge the air from the gas line.
- Continue to purge the air (we recommend using a plastic tube routed outside the building) until gas is smelt.
- Assemble a pressure gauge (C) on the gas pressure socket of the pipe coupling. The manometer readings are used to calculate burner power using the tables on page 6 and 7.
- Connect two lamps or testers to the two gas line solenoid valves VR and VS, to check the exact moment at which voltage is supplied. This operation is unnecessary if each of the two solenoid valves is equipped with a pilot light that signals voltage passing through.
- Fan air damper: leave at the factory setting.

Before starting up the burner, it is good practice to adjust the gas train so that firing takes place in conditions of maximum safety, i.e. with gas delivery at the minimum.

BURNER START-UP

Close the control devices.

As soon as the burner starts check the direction of rotation of the fan blade, looking through the flame inspection window 18)(A)p.4.

Make sure that the lamps or testers connected to the solenoids, or pilot lights on the solenoids themselves, indicate that no voltage is present. If voltage is present, then **immediately** stop the burner and check electrical connections.

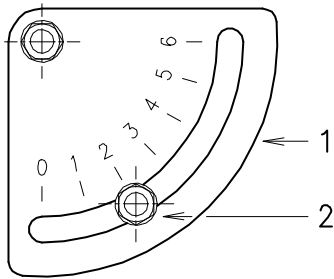
BURNER FIRING

Having completed the checks indicated in the previous heading, ignition of the burner should be achieved. If the motor starts but the flame does not appear and the control box goes into lockout, reset and wait for a new firing attempt.

If firing is still not achieved, it may be that gas is not reaching the combustion head within the safety time period of 3 seconds. In this case increase gas firing delivery.

The arrival of gas to the pipe coupling is shown by the pressure gauge (C).

Once firing has taken place, proceed with global burner calibration operation.



(A)

D593

BURNER CALIBRATION

The optimum calibration of the burner requires an analysis of the exhaust gases at the boiler outlet.

Adjust successively:

- 1 - Maximum output;
- 2 - Air pressure switch;
- 3 - Minimum gas pressure switch.

DETERMINATION OF OUTPUT UPON FIRING (MINIMUM)

According to the regulation EN 676.

Burners with MAX output up to 120 kW

Firing can be performed at the maximum operation output level. Example:

- max. operation output : 120 kW
- max. firing output : 120 kW

Burners with MAX output above 120 kW

Firing must be performed at a lower output than the max. operation output.

If firing output does not exceed 120 kW, no calculations are required. If firing output exceeds 120 kW, the regulations prescribe that the value be defined according to the control box "ts" safety time:

for "ts" = 3s, firing output must be equal to, or lower than, 1/3 of max. operation output.

Example

MAX operation output of 450 kW.

The firing output must be equal to, or less than, 150 kW with ts = 3s

In order to measure the firing output:

- disconnect the plug-socket 23)(A)p.4 on the ionisation probe cable (the burner will fire and then go into lockout after the safety time has elapsed).
- Perform 10 firings with consecutive lockouts.
- Read, on the meter, the quantity of gas burned.

This quantity must be equal to, or lower than, the quantity given by the formula, for ts = 3s:

$$Vg = \frac{Qa \text{ (max. burner output) } \times n \times ts}{3600}$$

Vg: volume supplied upon firings carried out (Sm³)

Qa: firing output (Sm³/h)

n: number of firings (10)

ts: safety time (sec)

Example for gas G 20 (9.45 kWh/Sm³):
firing output 150 kW

corresponding to 15.87 Sm³/h.

After 10 firings with lockout, the output indicated on the meter must be equal to, or less than:

$$Vg = \frac{15,87 \times 10 \times 3}{3600} = 0,132 \text{ Sm}^3$$

1 - MAXIMUM OUTPUT

The maximum output of the burner must be set within the firing rate range shown on page 5.

Adjusting gas delivery

Measure the delivery of gas from the gas meter. A guideline indication can be calculated from the tables on page 6, simply read off the gas pressure on the manometer, see fig.(C) on page 11, and follow the instructions on pages 6 - 7.

- If delivery needs to be reduced, diminish outlet gas pressure and, if it is already very low, slightly close adjustment valve VR2.
- If delivery needs to be increased, increase outlet gas pressure.

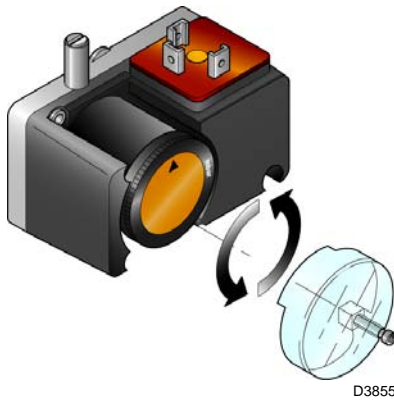
Adjusting air delivery

Adjust the fan air damper by using the indexed selector 1)(A) after having loosened the screw 2)(A).

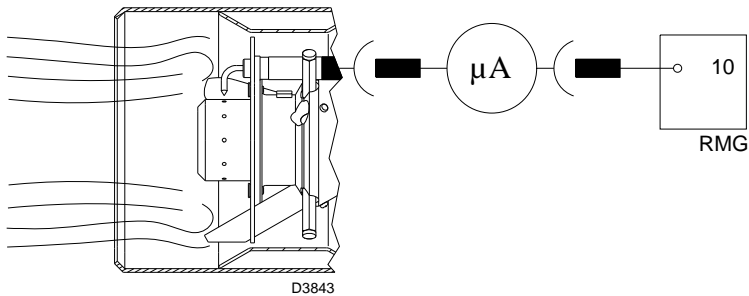


(A)

MINIMUM GAS PRESSURE SWITCH



(B)



(C)

Note

Once you have finished adjusting maximum output, check firing once again: noise emission at this stage must be identical to the following stage of operation. If you notice any sign of pulsations, reduce the firing stage delivery.

2 - AIR PRESSURE SWITCH (A)

Adjust the air pressure switch after having performed all other burner adjustments with the air pressure switch set to the start of the scale (A).

With the burner working insert a combustion analyser in the stack, slowly close the suction inlet of the fan (for example, with cardboard) until the CO value does not exceed 100 ppm.

Then slowly turn the appropriate knob clockwise until the burner reaches the lockout position.

Check the indication of the arrow pointing upwards on the graduated scale (A). Turn the knob clockwise again, until the value shown on the graduated scale corresponds with the arrow pointing downwards (A), and so recovering the hysteresis of the pressure switch (shown by the white mark on a blue background, between the two arrows).

Now check the correct start-up of the burner.

If the burner locks out again, turn the knob anti-clockwise a little bit more.

3 - MINIMUM GAS PRESSURE SWITCH (B)

With the burner operating, increase adjustment pressure by slowly turning the relative knob clockwise until the burner locks out.

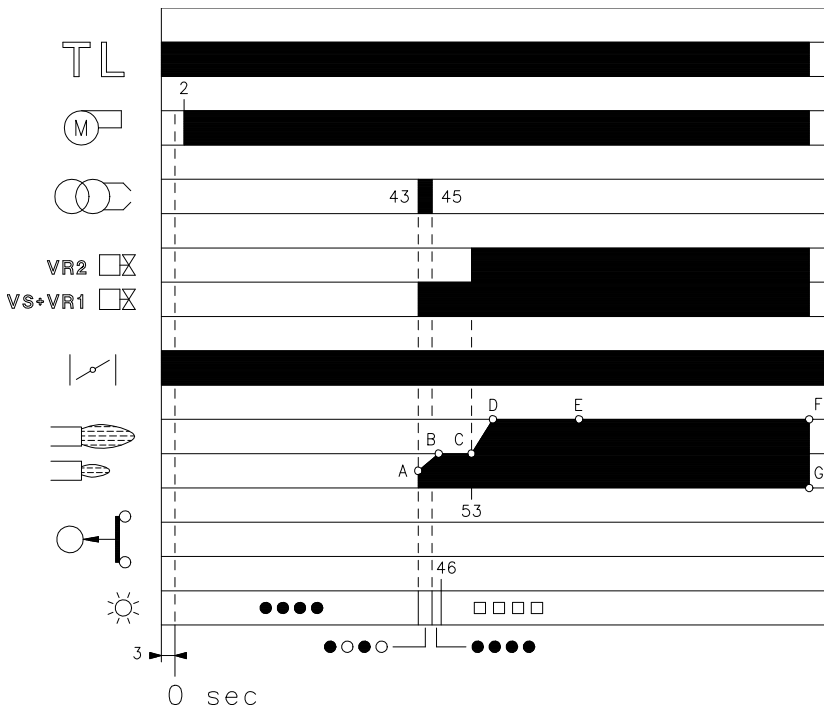
Then turn the knob anti-clockwise by 5mbar and repeat burner starting to ensure it is uniform.

If the burner locks out again, turn the knob anti-clockwise again by 1mbar.

FLAME PRESENCE CHECK (C)

The burner is fitted with an ionisation system which ensures that a flame is present. The minimum current necessary for the control box operation is 5 µA. The burner supplies a significantly higher current value, so that no check is usually needed. However, if it is necessary to measure the ionisation current, disconnect the plug-socket 23)(A)p.4 on the ionisation probe cable and insert a direct current microammeter with a base scale of 100 µA. Carefully check polarities.

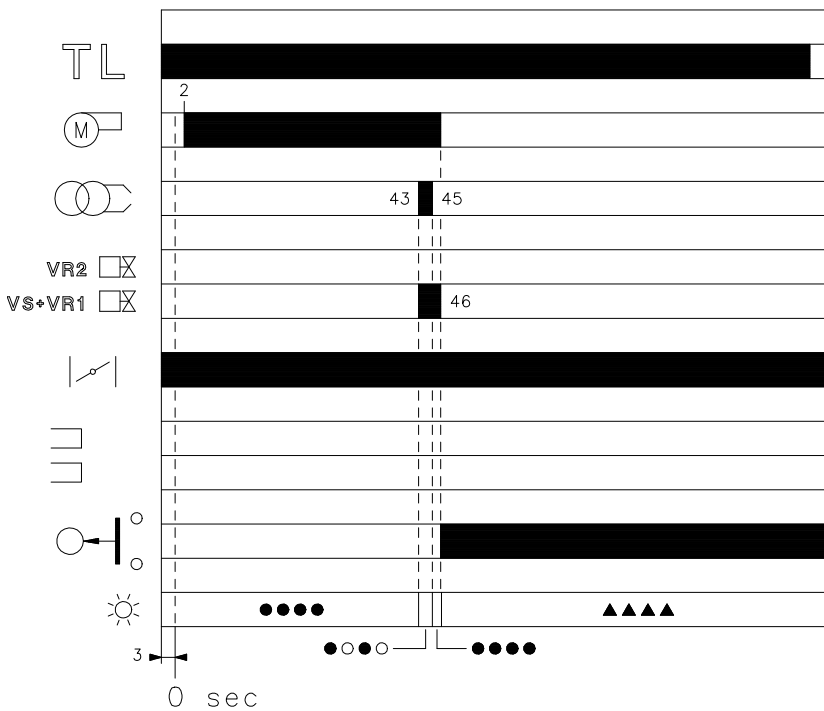
STANDARD FIRING
(n° = seconds from the moment 0)



* ○ Off ● Yellow □ Green ▲ Red
For further details see page 16.

(A) D3024

NO FIRING



* ○ Off ● Yellow ▲ Red
For further details see page 16.

(B) D3025

BURNER OPERATION

BURNER START-UP (A)

- Control device TL closes.
After about 3s:
- 0 s : The control box starting cycle begins.
- 2 s : Fan motor starts.
The air gate valve is set on maximum adjustment output.
The pre-purge stage follows.
- 43 s : Ignition electrode strikes a spark.
- Safety valve VS and the 1st stage VR1 of the adjustment valve VR open. The shutter of valve VR1 has a first rapid run that determines a low output firing, point A, which is followed by a slow run. The output increases progressively up to a 1st stage value, section A-B.
- 45 s : The spark goes out.
- 53 s : The 2nd stage VR2 of valve VR opens and the output passes slowly from the 1st stage to the maximum adjustment valve, section C-D.
- The control value box starting cycle ends.

STEADY STATE OPERATION (A)

At the end of the starting cycle, the control box continues to check that the flame is present and that the air pressure switch is in the correct position.

The burner continues to operate at constant output.

If the temperature or pressure in the boiler continues to rise, and opens load control TL, the burner will stop, section F-G.

FIRING FAILURE (B)

If the burner does not fire, it goes into lockout within 3 s of the opening of the gas solenoid valve and 49 s after the closing of control device TL.
The red led of the control box comes on.

UNDESIRED SHUTDOWN DURING OPERATION


If the flame should accidentally go out during operation, the burner will lock out within 1s.


FINAL CHECKS (with the burner working):


- disconnect a wire of the minimum gas pressure switch;
- switch on the thermostat/pressure switch TL;
- switch on the thermostat/pressure switch TS; the burner must stop.
- Disconnect the air adduction tube of the pressure switch;
- disconnect the wire of the ionisation probe; the burner must stop in lockout.

Make sure that the mechanical locking systems on the various adjustment devices are fully tightened.

MAINTENANCE

 The burner requires periodic maintenance carried out by a qualified and authorised technician **in conformity with legislation and local standards.**

 Periodic maintenance is essential for the reliability of the burner, avoiding the excessive consumption of fuel and consequent pollution.

 Before carrying out any cleaning or control, always switch off the electrical supply to the burner, using the main switch of the system.

Combustion

The optimum calibration of the burner requires an analysis of the exhaust gases. Significant differences with respect to the previous measurements indicate the points where more care should be exercised during maintenance.

Gas leaks

Make sure there are no gas leaks on the pipe-work between the gas meter and the burner.

Gas filter

Substitute the gas filter when dirty (see train instructions).

Combustion head

Open the burner and make sure that all components of the combustion head are in good condition, not deformed by the high temperatures, free of impurities from the surroundings and correctly positioned. If in doubt, disassemble the elbow.

Burner

Check for excess wear or loose screws in the mechanisms that control the air damper and the gas butterfly valve. In addition, the screws that fix the cables in the terminal board must be blocked, along with the burner sockets. Clean the outside of the burner.

Combustion

Adjust the burner if the combustion values found at the beginning of the operation do not comply with the regulations in force, or at any rate, do not correspond to good combustion.

Use the appropriate card to record the new combustion values; they will be useful for subsequent controls.

BURNER START-UP PROGRAMME DIAGNOSTICS

During start-up, the indications are explained in the following table:

COLOUR CODE TABLE	
Sequences	Colour code
Pre-purging	●●●●●●●●●●
Firing phase	●○●○●○●○●○
Operation, flame OK	□□□□□□□□□□
Operation with weak flame signal	□○□○□○□○□○□○
Electrical supply lower than ~ 170V	●▲●▲●▲●▲●▲●▲
Lockout	▲▲▲▲▲▲▲▲▲▲
Extraneous light	▲□▲□▲□▲□▲□▲□
Key to layout: ○ Off ● Yellow □ Green ▲ Red	

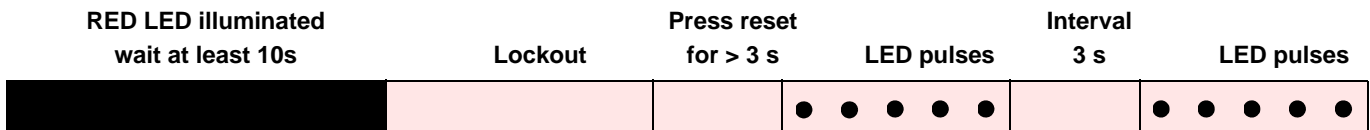
RESET OF CONTROL BOX AND DIAGNOSTICS USE

The control box supplied features a diagnostics function, through which any causes of malfunctioning can be easily identified (indicator: **RED LED** signal).

To use this function, wait at least 10 seconds from when the safety condition has been set (**lockout**), then press the reset button.

The control box generates a sequence of led pulses (1 second apart) that is repeated at constant intervals of 3 seconds.

Once the number of LED pulses has been visualised, and the possible cause identified, it is necessary to reset the system, keeping the button pressed for 1-3 seconds.



Below, a list of the possible methodologies for carrying out the resetting of the control box and for using the diagnostics.

CONTROL BOX RESET

To reset the control box, proceed as follows:

- Press and hold the button for 1-3 seconds.
The burner starts up again, 2 seconds after the button is released.
- If the burner does not restart, make sure the limit thermostat is closed.

VISUAL DIAGNOSTICS

Indicate the type of burner fault that leads to the lockout.

To display the diagnostic, proceed as follows:

- Keep the button pressed for more than 3 seconds from when the red led (burner lockout) switches on.
The end of the operation will be shown by a yellow led pulse.
Release the button when you see the flashing. The number of times it pulses tells you the cause of the malfunction, according to the coding system indicated in the table on page 17.

SOFTWARE DIAGNOSTICS

Gives an analysis of the life of the burner, through optical connections with a PC showing the working hours, number and types of lockout, control box serial number etc.

To display the diagnostic, proceed as follows:

- Keep the button pressed for more than 3 seconds from when the red led (burner lockout) switches on.
The end of the operation will be shown by a yellow LED pulse.
Release the button for 1 second, then press it again for more than 3 seconds, until you see another yellow flash.
When you release the button, the red led will flash intermittently with high frequency: only then is it possible to insert the optical connection.

When the operation is completed, it is necessary to reset the start-up condition of the control box, using the reset procedure described above.

PRESSURE ON THE BUTTON	STATE OF CONTROL BOX
From 1 to 3 seconds	Reset of the control box without visualisation of the visual diagnostics.
More than 3 seconds	Visual diagnostics of the lockout condition: (led flashes at 1 second intervals).
More than 3 seconds, starting from the condition of visual diagnostics	Software diagnostics, with the help of optical interface and PC (possibility to visualise the working hours, irregularities, etc.)

The sequence of pulses issued by the control box identifies the possible types of malfunction, which are listed in the table on page 17.

Signal	Problem	Possible cause	Recommended remedy
2 blinks ● ●	Once the pre-purging phase and safety time have passed, the burner goes into lockout without the appearance of the flame	1 - The operation solenoid lets little gas through 2 - One of the two solenoid valves does not open. 3 - Gas pressure too low 4 - Ignition electrode incorrectly adjusted 5 - Electrode grounded due to broken insulation 6 - High voltage cable defective 7 - High voltage cable deformed by high temperature 8 - Ignition transformer defective. 9 - Incorrect valve or transformer electrical wiring 10 - Defective control box 11 - A closed valve upline the gas train 12 - Air in pipework 13 - Gas valves unconnected or with interrupted coil	Increase Replace Increase pressure at governor Adjust, see fig. (D) page 8 Replace Replace Replace and protect Replace Check Replace Open Bleed air Check connections or replace coil
3 blinks ● ● ●	The burner does not switch on, and the lockout appears	14 - Air pressure switch in operating position	Adjust or replace
	The burner switches on, but then stops in lockout	- Air pressure switch inoperative due to insufficient air pressure: 15 - Air pressure switch incorrectly adjusted. 16 - Pressure switch pressure test point pipe blocked 17 - Poorly adjusted head 18 - High pressure in the furnace	Adjust or replace Clean Adjust Connect air pressure switch to fan suction line
	Lockout during pre-purging phase	19 - Defective motor control contactor (only three-phase version) 20 - Defective electrical motor. 21 - Motor lockout (defective electrical motor)	Replace Replace Replace
4 pulses ● ● ● ●	The burner switches on, but then stops in lockout	22 - Flame simulation	Replace the control box
	Lockout when burner stops	23 - Permanent flame in the combustion head or flame simulation	Eliminate persistence of flame or replace control box
7 blinks ● ● ● ● ● ● ●	The burner goes into lockout immediately following the appearance of the flame	24 - The operation solenoid lets little gas through 25 - Ionisation probe incorrectly adjusted 26 - Insufficient ionisation (less than 5 A) 27 - Earth probe 28 - Burner poorly grounded. 29 - Phase and neutral connections inverted 30 - Defective flame detection circuit	Increase Adjust, see fig. (D) page 8 Check probe position Withdraw or replace cable Check grounding Invert them Replace the control box
	Burner goes into lockout during operation	31 - Probe or ionisation cable grounded.	Replace worn parts
10 blinks ● ● ● ● ● ● ● ● ● ●	The burner does not switch on, and the lockout appears	32 - Incorrect electrical wiring	Check
	The burner goes into lockout	33 - Defective control box	Replace
		34 - Presence of electromagnetic disturbances in the thermostat lines	Filter or eliminate
35 - Presence of electromagnetic disturbance		Use the radio disturbance protection kit	
No blink	The burner does not start	36 - No electrical power supply	Close all switches - Check connections
		37 - A limiter or safety control device is open	Adjust or replace
		38 - Line fuse blocked.	Replace
		39 - Defective control box	Replace
		40 - No gas supply	Open the manual valves between contactor and train
		41 - Mains gas pressure insufficient	Contact your GAS COMPANY
	42 - Minimum gas pressure switch fails to close.	Adjust or replace	
The burner continues to repeat the start-up cycle, without lockout	43 - The gas pressure in the gas mains lies very close to the value to which the minimum gas pressure switch has been set. The sudden drop in pressure after valve opening causes temporary opening of the pressure switch itself, the valve immediately closes and the burner comes to a halt. Pressure increases again, the pressure switch closes again and the ignition cycle is repeated. And so on	Reduce the minimum gas pressure switch intervention pressure. Replace the gas filter cartridge.	
Ignition with pulsations	44 - Poorly adjusted head	Adjust. See page 9	
	45 - Ignition electrode incorrectly adjusted	Adjust, see fig. (D) page 8	
	46 - Incorrectly adjusted fan air damper: too much air	Adjust	
	47 - Output during ignition phase is too high.	Reduce	

NORMAL OPERATION / FLAME DETECTION TIME

The control box has a further function to guarantee the correct burner operation (signal: **GREEN LED** permanently on). To use this function, wait at least ten seconds from the burner ignition and then press the control box button for a minimum of 3 seconds. After releasing the button, the GREEN LED starts flashing as shown in the figure below.



The pulses of the LED constitute a signal spaced by approximately 3 seconds. The number of pulses will measure the probe DETECTION TIME since the opening of gas valves, according to the following table:

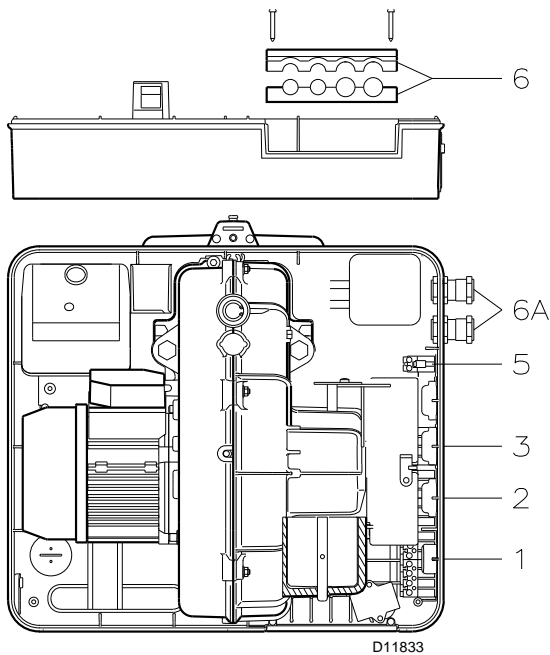
SIGNAL	FLAME DETECTION TIME
1 blink ●	0.4s
2 blinks ● ●	0.8s
6 blinks ● ● ● ● ● ●	2.8s

This is updated in every burner start-up. Once read, the burner repeats the start-up cycle by briefly pressing the control box button.
WARNING
 If the result is > 2s, ignition will be retarded. Check the adjustment of the hydraulic brake of the gas valve, the air damper and the combustion head adjustment.

KIT INTERFACE ADAPTER RMG TO PC Code 3002719

APPENDIX

Electrical connections



NOTES

The electrical wirings must be carried out in conformity with the regulations in force in the countries of destination, and by qualified personnel.

Riello S.p.A. cannot accept any responsibility for modifications or connections other than those shown in these diagrams.

Use flexible cables, in accordance with the regulation EN 60 335-1.

All the cables to be connected to the burner must pass through cable grommets.

The use of cable grommets can take various forms; the following way is just one possible solution:

RS 34-44/1 MZ

- 1- 7-pole socket for single-phase power supply, thermostat/pressure switch TL
- 2- 6-pole socket for gas valves, gas pressure switch or device for checking the valve seal
- 3- 4-pole socket for thermostat/pressure switch TR
- 5- 2-pole socket for accessories
- 6 - 6A Fittings for pipe unions
(Pierce, if it is necessary to use the pipe unions 6A)

NOTE

The RS 34-44/1 MZ -burners have been type-approved for intermittent operation. This means they should be "Compulsorily" stopped at least once every 24 hours to enable the control box to perform a check of its own efficiency at start-up. Normally, the stopping of the burner is guaranteed by the boiler's thermostat/pressure switch. If this is not the case, a time switch should be fitted in series to IN to provide for burner shut-down at least once every 24 hours.



ATTENTION:

- Do not invert the neutral with the phase in the electrical supply line. An inversion would lead to lockout due to firing failure.
- Replace the components only with original spare parts.

DECLARACIÓN DE CONFORMIDAD A.R. 8/01/2004 & 17/07/2009 – Bélgica

Productor: RIELLO S.p.A.
I - 37045 Legnago (VR)
Tel. +39.0442.630111

Puesto en circulación por: RIELLO NV
Ninovesteenweg 198
9320 Erembodegem
Tel. (053) 769 030
Fax. (053) 789 440
e-mail. info@riello.be
URL. www.riello.be

Con la presente se certifica que la serie especificada a continuación es conforme al modelo tipo descrito en la declaración de conformidad CE, y ha sido producida y puesta en circulación de acuerdo con las exigencias definidas en el D.L. del 8 de enero 2004 y 17 Julio 2009.

Tipo de producto: Quemador de gas con aire soplado

		Modelo	
		886 T	873 T
Valores medidos *	media NOx (mg/kWh)	100	95
	CO máx (mg/kWh)	9	8

* Funcionamiento con gas natural (Fam. 2)

Norma aplicada: EN 676 y A.R. del 8 de enero de 2004 - 17 Julio 2009

Organismo de control: TÜV SÜD Industrie Service GmbH
Ridlerstrase, 65
80339 München DEUTSCHLAND

Fecha: 31/03/2010

Declaración del fabricante

RIELLO S.p.A. declara que los siguientes productos respetan los valores límite de emisión de los NOx impuestos por la legislación alemana "1. BImSchV versión 26.01.2010".

Producto	Tipo	Modelo	Potencia
Quemador de gas con aire soplado	873 T	RS 44/1 MZ	86-550 kW

Legnago, 01.08.2011

Ing. G. Conticini
Dirección División Quemadores
RIELLO S.p.A.



- ▶ El quemador **posee la marca CE** y es conforme a los requisitos fundamentales de las siguientes Directivas:
 - CE Reg. N.: **0085BR0380** según 90/396/CEE;
 - Directiva Compatibilidad Electromagnética 2004/108/CE;
 - Directiva Baja Tensión 2006/95/CE;
 - Directiva Máquinas 2006/42/CE;
- ▶ Grado de protección de los quemadores IP 40 según EN 60529.

IDENTIFICACIÓN

La Placa de identificación del producto indica el número de matrícula, el modelo y los datos principales técnicos y prestacionales. La alteración, eliminación o la falta de la placa de identificación no permite su correcta identificación y dificulta los trabajos de instalación y mantenimiento.

ADVERTENCIAS GENERALES

Para garantizar una combustión con la mínima cantidad de emisiones contaminantes, las medidas y el tipo de cámara de combustión del generador de calor deben corresponder a valores bien definidos.

Por consiguiente se aconseja consultar al Servicio Técnico de Asistencia antes de escoger este tipo de quemador para montarlo en una caldera.

El personal cualificado es el que cumple los requisitos técnico-profesionales indicados en la ley 5 marzo 1990 n° 46. La organización comercial dispone de una amplia red de agencias y servicios técnicos cuyo personal participa periódicamente en cursos de instrucción y actualización en el Centro de Formación de la empresa.

Este quemador está destinado para el uso para el que ha sido expresamente fabricado.

El constructor excluye cualquier responsabilidad contractual o extracontractual por daños causados a personas, animales o cosas por errores en la instalación y calibrado del quemador, por un uso impropio del mismo, erróneo o irracional, por el incumplimiento del manual de instrucciones suministrado en dotación con el mismo quemador y por la intervención de personal no cualificado.

INFORMACIONES PARA EL USUARIO


Si se verificaran irregularidades de encendido o de funcionamiento, el quemador efectuará una “parada de seguridad”, identificada con la señal roja de bloqueo del quemador. Para restablecer las condiciones de arranque, hay que oprimir el botón de desbloqueo. Cuando el quemador arranca, la luz roja se apaga.


Dicha operación se puede repetir 3 veces como máximo. Si las “paradas de seguridad” fueran frecuentes, hay que contactar al Servicio Técnico de Asistencia.

REGLAS FUNDAMENTALES DE SEGURIDAD

- ▶ Está prohibido que niños o personas inexpertas usen el aparato.
- ▶ Está prohibido tapar con trapos, papeles o demás las rejillas de aspiración o de disipación y la ventilación del local donde está instalado el aparato.
- ▶ Está prohibido que personal no autorizado trate de reparar el aparato.
- ▶ Es peligroso tirar de los cables eléctricos o retorcerlos.
- ▶ Está prohibido limpiar el aparato antes de haberlo desconectado de la alimentación eléctrica.
- ▶ No limpiar el quemador ni sus componentes con sustancias inflamables (ej. gasolina, alcohol, etc.). El cuerpo se debe limpiar sólo con agua con jabón.
- ▶ No apoyar objetos sobre el quemador.
- ▶ No dejar envases ni sustancias inflamables en el local donde está instalado el aparato.

En algunas partes del manual se utilizan los símbolos:

 **ATENCIÓN** = para acciones que requieren un particular cuidado y una adecuada preparación.

 **PROHIBIDO** = para acciones que **NO DEBEN** ser efectuadas.

E ÍNDICE

DATOS TÉCNICOS	página 2
Versiones constructivas	2
Accesorios	3
Descripción del quemador	4
Embalaje - Peso	4
Dimensiones máximas	4
Forma de suministro	4
Campos de trabajo	5
Caldera de prueba	5
Calderas comerciales	5
Presión del gas	6
INSTALACIÓN	8
Placa caldera	8
Longitud tubo llama	8
Fijación del quemador a la caldera	8
Regulación del cabezal de combustión	9
Línea alimentación gas	10
Rampa de gas	10
Regulaciones previa al encendido	11
Puesta en marcha del quemador	11
Encendido del quemador	11
Regulación del quemador:	12
1 - Potencia máxima	12
2 - Presostato aire	13
3 - Presostato gas de mínima	13
Control presencia llama	13
Funcionamiento del quemador	14
Controles finales	15
Mantenimiento	15
Diagnóstico programa de arranque	16
Desbloqueo de la caja de control y uso diagnóstico	16
Anomalía - Causa Probable - Solución	17
Funcionamiento normal / tiempo de detección llama	18
Apéndice	19
Conexión	20

Nota

Las figuras que se mencionan en el texto se identifican del modo siguiente:

- 1)(A) =Detalle 1 de la figura A, en la misma página que el texto;
1)(A)p.3 =Detalle 1 de la figura A, página N° 3.

INFORMACIONES SOBRE EL MANUAL DE INSTRUCCIÓN

INTRODUCCIÓN

El manual de instrucción suministrado juntamente al quemador:

- constituye parte integrante y fundamental del producto y no se debe separar del quemador; por lo tanto debe conservarse con cuidado para toda necesidad de consulta y debe acompañar al quemador incluso en caso de entregarse a otro propietario o usuario, o en caso de transferencia a otra instalación. En caso de daño o extravío debe solicitarse otro ejemplar al Servicio Técnico de Asistencia **RIELLO** de la Zona;
- fue realizado para que solo el personal calificado lo use;
- suministra importantes indicaciones y advertencias sobre la seguridad de la instalación, la puesta en funcionamiento, el uso y el mantenimiento del quemador.

ENTREGA DE LA INSTALACIÓN Y DEL MANUAL DE INSTRUCCIÓN

Cuando se entrega la instalación es necesario que:

- El manual de instrucción sea entregado por el proveedor de la instalación al usuario, con la advertencia de que dicho manual debe ser conservado en el local de la instalación del generador de calor.
- En el manual de instrucción figuran:
 - el número de matrícula del quemador;

.....

- la dirección y el número de teléfono del Centro de Asistencia más cercano;

.....
.....
.....

- El proveedor de la instalación informe con precisión al usuario acerca de:
 - el uso de la instalación,
 - eventuales pruebas adicionales necesarias que se deben realizar antes de la activación de la instalación,
 - el mantenimiento y la necesidad de controlar la instalación como mínimo una vez al año por parte de un encargado de la Empresa Fabricante o de otro técnico especializado.
- Para garantizar un control periódico, **RIELLO** se recomienda estipular un Contrato de Mantenimiento.

CARACTERÍSTICAS TÉCNICAS

MODELO		RS 34/1 MZ		RS 44/1 MZ	
TIPO		886 T		873 T	
POTENCIA (1)	kW Mcal/h	70 - 390 60 - 336		100 - 550 86 - 473	
COMBUSTIBLE		GAS NATURAL: G20 - G21 - G22 - G23 - G25			
		G20	G25	G20	G25
- poder calorífico inferior	kWh/Sm ³ Mcal/Sm ³	9,45 8,2	8,13 7,0	9,45 8,2	8,13 7,0
- densidad absoluta	kg/Sm ³	0,71	0,78	0,71	0,78
- caudal máximo	Sm ³ /h	35	40	49	57
- presión al máximo caudal (2)	mbar	13,1	18,4	16,7	23,2
FUNCIONAMIENTO		<ul style="list-style-type: none"> Intermitente (mín. 1 paro en 24 horas). De una sola llama (todo o nada) 			
UTILIZACIÓN ESTÁNDAR		Calderas: de agua, a vapor y aceite diatérmico			
TEMPERATURA AMBIENTE	°C	0 - 40			
TEMPERATURA AIRE COMBURENTE	°C max	60			
ALIMENTACIÓN ELÉCTRICA	V Hz	230 ~ +/- 10% 50/60 - monofásica			
MOTOR ELÉCTRICO	rpm W V A	2800/3400 300 220 - 240 2,4		2820/3400 420 220 - 240 3	
CORRIENTE DE ARRANQUE	A	11		17	
CORRIENTE DE FUNCIONAMIENTO	A	3,2		3,5	
CONDENSADOR MOTOR	μF/V	12,5/400		12,5/450	
TRANSFORMADOR DE ENCENDIDO	V1 - V2 I1 - I2	230 V - 1 x 15 kV 1 A - 25 mA			
POTENCIA ELÉCTRICA ABSORBIDA	W max	600		700	
GRADO DE PROTECCIÓN		IP 40			
NIVEL SONORO (3)	PRESIÓN SONORA POTENCIA SONORA	dBA	68 79	70 81	
HOMOLOGACIÓN	CE	0085BR0380		0085BR0380	

(1) Condiciones de referencia: Temperatura ambiente 20°C - Temperatura gas 15°C - Presión barométrica 1013 mbar - Altitud sobre el nivel del mar 0 metros.

(2) Presión en la toma 8)(A)p.4 con presión cero en la cámara de combustión, con potencia máxima del quemador.

(3) Pruebas de emisiones sonoras realizadas de acuerdo con la Normativa EN 15036-1, con exactitud de medida $\sigma = \pm 1,5$ dB, en el laboratorio de combustión del fabricante con quemador que funciona a máxima potencia en la caldera de prueba.

VERSIONES CONSTRUCTIVAS

Modelo	Longitud tubo llama mm
RS 34/1 MZ	216
	351
RS 44/1 MZ	216
	351

CATEGORÍAS GAS

PAÍS	CATEGORÍA
IT - AT - GR - DK - FI - SE	II ₂ H3B/P
ES - GB - IE - PT	II ₂ H3P
NL	II ₂ L3B/P
FR	II ₂ E _r 3P
DE	II ₂ ELL3B/P
BE	I ₂ E(R)B, I ₃ P
LU	II ₂ E 3B/P

ACCESORIOS (suministro bajo demanda):

• KIT PROTECCIÓN CONTRA LAS INTERFERENCIAS RADIO

En caso de instalar el quemador en ambientes especiales expuestos a interferencias radio (emisión de señales de más de 10 V/m) debido a la presencia de INVERTER o en aplicaciones donde las conexiones del termostato superan los 20 metros de longitud, se encuentra disponible un kit de protección como interfaz entre la caja de control y el quemador.

QUEMADOR	RS 34/1 MZ - RS 44/1 MZ
Código	3010386

• KIT CABEZAL LARGO

QUEMADOR	RS 34/1 MZ	RS 44/1 MZ
Código	3010428	3010429

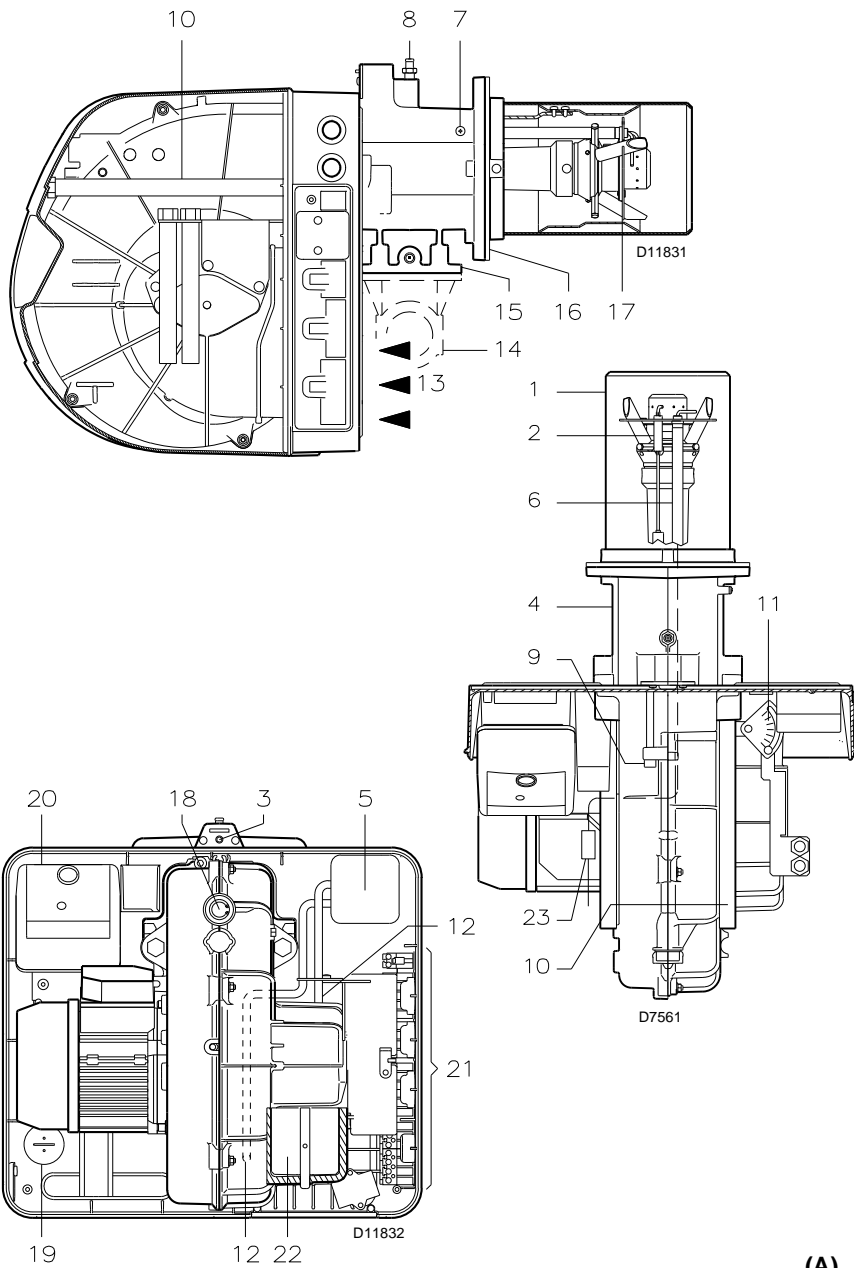
• KIT PARA FUNCIONAMIENTO CON GLP: el kit permite a los quemadores RS 34-44/1 MZ quemar GPL.

QUEMADOR	RS 34/1 MZ	RS 44/1 MZ
Potencia kW	80 - 390 kW	120 - 530 kW
Longitud tubo llama mm	216 - 351	216 - 351
Código	3010423	3010424

• KIT PRESOSTATO GAS DE MÁXIMA	Cód. 3010418
• KIT CONTACTOS PULIDOS	Cód. 3010419
• KIT POSTVENTILACIÓN	Cód. 3010452
• KIT INTERRUPTOR DIFERENCIAL	Cód. 3010448
• KIT VENTILACIÓN CONTINUA	Cód. 3010449
• KIT CUENTAHORAS	Cód. 3010450
• KIT INTERFACE ADAPTER RMG TO PC	Cód. 3002719

• RAMPAS DE GAS SEGÚN NORMA EN 676 (completa, con válvulas, regulador de presión y filtro): ver página 10.

IMPORTANTE: El instalador es responsable de la eventual incorporación de dispositivos de seguridad no previstos en este manual.



DESCRIPCIÓN DEL QUEMADOR (A)

- 1 Cabezal de combustión
- 2 Electrodo de encendido
- 3 Tornillo regulación cabezal de combustión
- 4 Collarín
- 5 Presostato aire de mínima (tipo diferencial)
- 6 Sonda para controlar la presencia de llama
- 7 Toma de presión de aire
- 8 Toma de presión de gas y tornillo fijación cabezal
- 9 Tornillo fijación del ventilador al collarín
- 10 Guías para abertura del quemador e inspección del cabezal de combustión
- 11 Sector graduado.
Abre el registro del ventilador en el valor necesario para el caudal del quemador.
- 12 Tomas de presión del presostato
- 13 Entrada aire del ventilador
- 14 Conducto entrada gas
- 15 Brida de conexión rampa de gas
- 16 Brida para fijación a la caldera
- 17 Disco estabilizador de llama
- 18 Visor llama
- 19 Condensador motor (RS 34/1 MZ)
- 20 Caja de control con piloto luminoso de bloqueo y pulsador de desbloqueo
- 21 Conectores para la conexión eléctrica
- 22 Registro de aire
- 23 Conector macho-hembra cable sonda de ionización

Nota

La iluminación del pulsador (**led rojo**) de la caja 20)(A) indica que el quemador está bloqueado. Para desbloquear, oprimir el pulsador durante un tiempo comprendido entre 1 y 3 segundos.

EMBALAJE - PESO (B) - medidas aproximadas

- Los quemadores se expiden en embalaje de cartón, cuyas dimensiones se especifican en la tabla (B).
- El peso del quemador completo con embalaje se indica en la tabla (B).

DIMENSIONES MÁXIMAS (C) - medidas aproximadas

Las dimensiones máximas del quemador se indican en (C).

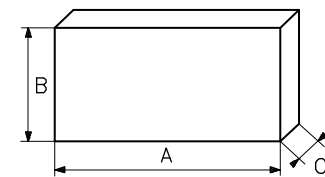
Tener en cuenta que para inspeccionar el cabezal de combustión, el quemador debe desplazarse hacia atrás.

La longitud máxima del quemador abierto, sin envolvente, está indicada por la cota H.

FORMA DE SUMINISTRO

- 1 - Brida conexión rampa de gas
- 1 - Junta brida
- 4 - Tornillos M 8 x 25 fijación brida
- 1 - Junta aislante
- 4 - Tornillos para fijar la brida del quemador a la caldera M 8 x 25
- 3 - Conectores para el cable de conexión
- 1 - Instrucción
- 1 - Lista de recambios

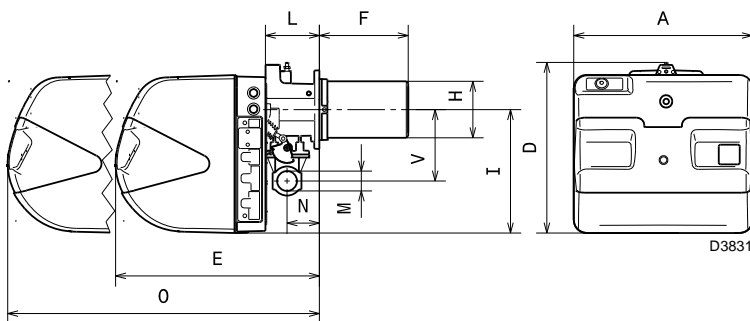
mm	A	B	C	kg
RS 34/1 MZ	1000	500	485	-
RS 44/1 MZ	1000	500	485	-



D88

(A)

(B)

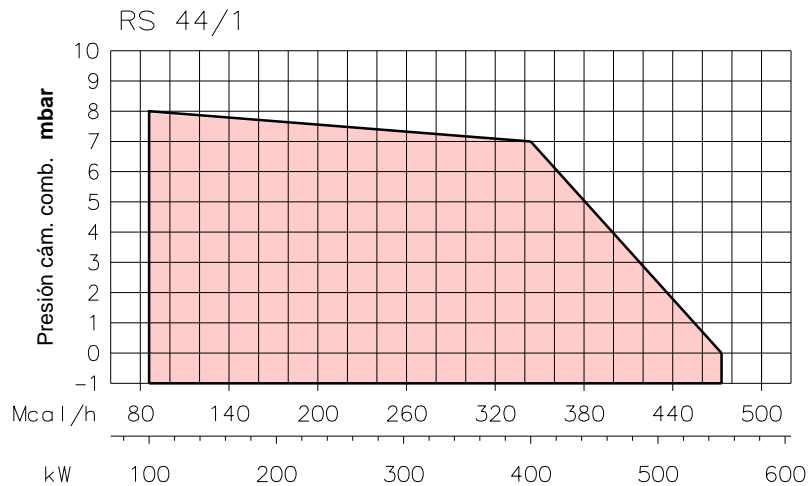
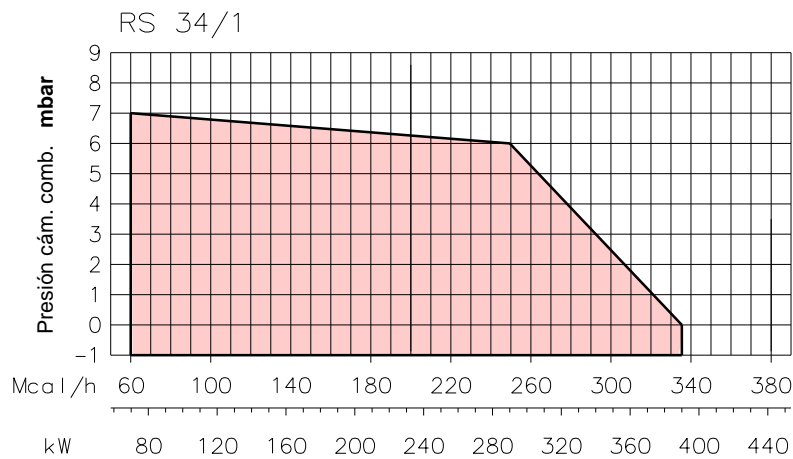


D3831

(C)

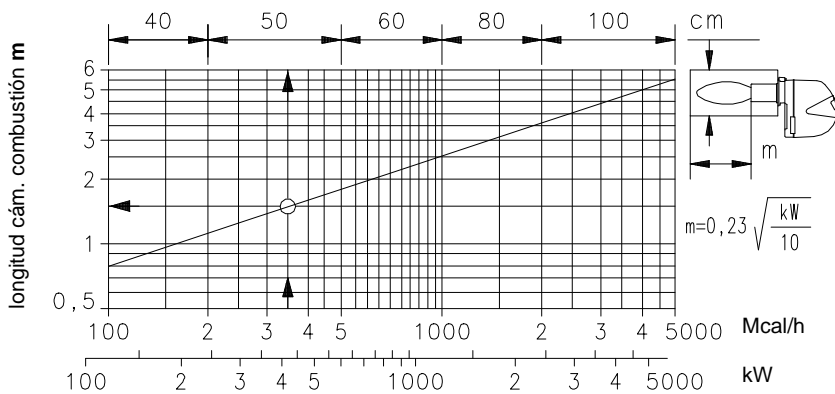
mm	A	D	E	F (1)	H	I	L	O	N	V	M
RS 34/1 MZ	442	422	508	216-351	140	305	138	780	84	177	1"1/2
RS 44/1 MZ	442	422	508	216-351	152	305	138	780	84	177	1"1/2

(1) Tubo llama: normal - alargado



(A)

D8589



(B)

D497

CAMPOS DE TRABAJO (A)

La potencia del quemador se elige dentro del campo de los diagramas de aquí al lado.

Atención

El CAMPO DE TRABAJO se ha calculado considerando una temperatura ambiente de 20°C, una presión barométrica de 1013 mbar (aprox. 0 m sobre el nivel del mar) y con el cabezal de combustión regulado como se indica en la página 9.

CALDERA DE PRUEBA (B)

Los campos de trabajo se han obtenido con calderas de prueba especiales, según la norma EN 676.

En la figura (B) se indica el diámetro y longitud de la cámara de combustión de prueba.

Ejemplo: Potencia: 350 Mcal/h
diámetro 50 cm - longitud 1,5 m.

CALDERAS COMERCIALES

En el acoplamiento quemador-caldera no hay ningún problema si la caldera tiene la homologación CE y si las dimensiones de la cámara de combustión se aproximan a las indicadas en el gráfico (B).

Si por el contrario el quemador debe instalarse en una caldera comercial no homologada CE o con dimensiones de cámara de combustión mucho más pequeñas que las indicadas en el gráfico (B), se debe consultar al fabricante.

RS 34/1 MZ Rampa de una sola llama Δp (mbar)

kW	1	2					
		MBC-DLE-120 (Rp 3/4")	MB 407 S2 (Rp 3/4")	MB 410 S2 (Rp 1.1/4")	MB 412 S2 (Rp 1.1/4")	MB 415 S2 (Rp 1.1/2")	MB 420 S2 (Rp 2")
70	0,6	5,2	3,0	--	--	--	--
75	0,6	5,6	3,4	2,1	--	--	--
100	1,0	8,2	5,6	2,9	--	--	--
125	1,4	11,1	8,0	4,2	2,1	--	--
150	2,4	15,7	11,0	5,6	2,8	--	--
175	3,5	21,1	14,4	7,2	3,6	--	--
200	4,6	27,2	18,1	9,0	4,5	--	--
225	5,8	33,9	22,1	11,0	5,5	3,2	--
250	6,9	41,3	26,4	13,2	6,5	3,3	--
275	8,0	49,4	31,3	15,5	7,6	3,8	--
300	9,1	58,0	36,6	18,0	8,7	4,3	--
325	10,2	67,2	42,2	20,5	9,9	4,8	3,2
350	11,3	76,7	47,8	22,9	11,2	5,4	3,4
375	12,4	86,7	53,7	25,4	12,7	5,9	3,8
390	13,1		57,4	27,0	13,5	6,3	4,0

RS 44/1 MZ Rampa de una sola llama Δp (mbar)

kW	1	2				
		MB 407 S5 (Rp 3/4")	MB 410 S5 (Rp 1.1/4")	MB 412 S2 (Rp 1.1/4")	MB 415 S2 (Rp 1.1/2")	MB 420 S2 (Rp 2")
100	0,2	5,6	2,9	2,1	3,2	3,2
150	1,6	11,0	5,6	2,8	3,2	3,2
200	3,0	18,1	9,0	4,5	3,2	3,2
250	4,9	26,4	13,2	6,5	3,3	3,2
300	6,9	36,6	18,0	8,7	4,3	3,2
350	8,9	47,8	22,9	11,2	5,4	3,4
400	10,8	59,9	28,1	14,0	6,5	4,1
450	12,8	73,2	33,6	16,8	7,7	4,9
500	14,7	87,6	39,5	19,8	9,0	5,7
550	16,7	103,0	45,8	23,1	10,2	6,6

RS 34/1 MZ Rampa de dos llamas Δp (mbar)

kW	1	2				
		MB-ZR 407 S2 (Rp 3/4")	MB-ZR 410 S2 (Rp 1")	MB-ZR 412 S2 (Rp 1.1/4")	MB-ZR 415 S2 (Rp 1.1/2")	MB-ZR 420 S2 (Rp 2")
70	0,6	3,0	2,1	2,1	--	--
75	0,6	3,4	2,1	2,1	--	--
100	1,0	5,6	2,9	2,1	--	--
125	1,4	8,0	4,2	2,1	--	--
150	2,4	11,0	5,6	2,8	--	--
175	3,5	14,4	7,2	3,6	--	--
200	4,6	18,1	9,0	4,5	--	--
225	5,8	22,1	11,0	5,5	3,2	--
250	6,9	26,4	13,2	6,5	3,3	--
275	8,0	31,3	15,5	7,6	3,8	--
300	9,1	36,6	18,0	8,7	4,3	--
325	10,2	42,2	20,5	9,9	4,8	3,2
350	11,3	47,8	22,9	11,2	5,4	3,4
375	12,4	53,7	25,4	12,7	5,9	3,8
390	13,1	57,4	27,0	13,5	6,3	4,0

PRESIÓN DEL GAS

Las tablas que hay al margen indican las pérdidas de carga mínimas de la línea de alimentación de gas en función de la potencia del quemador.

Columna 1

Pérdida de carga cabezal de combustión. Presión del gas en la toma 1)(B)p.7, con cámara de combustión a 0 mbar.

Columna 2

Pérdida de carga rampa de gas 2)(B)p.7 comprende: válvula de regulación VR una sola llama o dos llamas, válvula de seguridad VS (ambas con la máxima abertura), regulador de presión R, filtro F.

Los valores indicados en las tablas se refieren a: gas natural G 20 PCI 9,45 kWh/Sm³ (8,2 Mcal/Sm³)

Con:

gas natural G 25 PCI 8,13 kWh/Sm³ (7,0 Mcal/Sm³)

multiplicar los valores de la tabla:

- columna 1: por 1,5;

- columna 2: por 1,35.

Para conocer la potencia aproximada a la que está funcionando el quemador:

- Restar a la presión del gas en la toma 1)(B)p.7 la sobrepresión de la cámara de combustión.
- Hallar en la tabla relativa al quemador que se considere, columna 1, el valor de presión más cercano al resultado obtenido en la resta.
- Leer a la izquierda la potencia correspondiente.

Ejemplo - RS 34/1 MZ:

- Funcionamiento a la MÁX potencia
- Gas natural G 20 PCI 9,45 kWh/Sm³
- Presión de gas en la toma 1)(B)p.7 = 8,9 mbar
- Presión en la cámara de combustión = 2 mbar

$$8,9 - 2 = 6,9 \text{ mbar}$$

A la presión de 6,9 mbar, columna 1, corresponde en la tabla del RS 34/1 una potencia de 250 kW.

Este valor sirve como primera aproximación; el real se determinará a través del contador.

En cambio, para conocer la presión de gas necesaria en la toma 1)(B)p.7, una vez fijada la potencia a la que se desea que funcione el quemador:

- Hallar la potencia más cercana al valor deseado, en la tabla relativa al quemador que se considere.
- Leer a la derecha, columna 1, la presión en la toma 1)(B)p.7.
- Sumar a este valor la sobrepresión estimada de la cámara de combustión.

Ejemplo - RS 34/1 MZ:

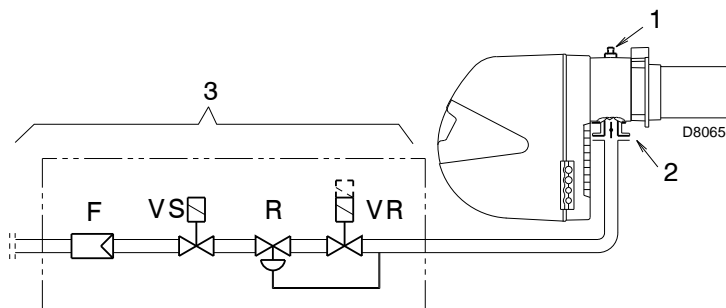
- Potencia MÁX deseada: 250 kW
 - Gas natural G 20 PCI 9,45 kWh/Sm³
 - Presión del gas a la potencia de 250 kW, en la tabla RS 34/1 MZ, columna 1A = 6,9 mbar
 - Presión en la cámara de combustión = 2 mbar
- $$6,9 + 2 = 8,9 \text{ mbar}$$
- presión necesaria en la toma 1)(B)p.7.

(A)

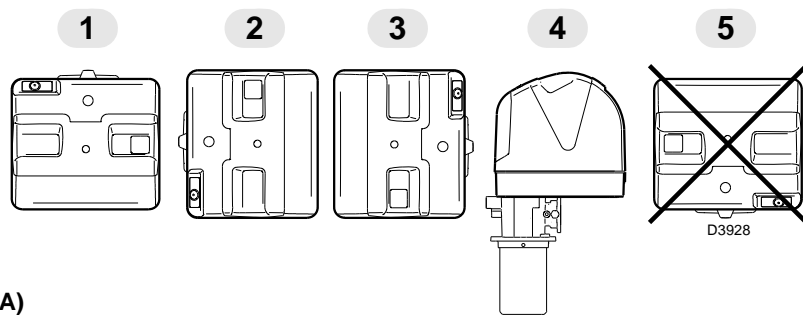
RS 44/1 MZ Rampa de dos llamas Δp (mbar)

kW	1	2			
		MB-ZR 410 S2 (Rp 1")	MB-ZR 412 S2 (Rp 1.1/4")	MB-ZR 415 S2 (Rp 1.1/2")	MB-ZR 420 S2 (Rp 2")
100	0,2	2,9	2,1	--	--
150	1,6	5,6	2,8	--	--
200	3,0	9,0	4,5	3,2	--
250	4,9	13,2	6,5	3,3	--
300	6,9	18,0	8,7	4,3	3,2
350	8,9	22,9	11,2	5,4	3,4
400	10,8	28,1	14,0	6,5	4,1
450	12,8	33,6	16,8	7,7	4,9
500	14,7	39,5	19,8	9,0	5,7
550	16,7	45,8	23,1	10,2	6,6

(A)

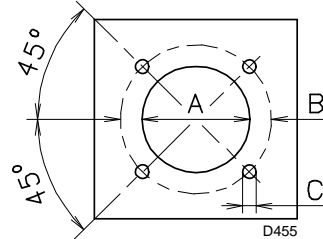


(B)

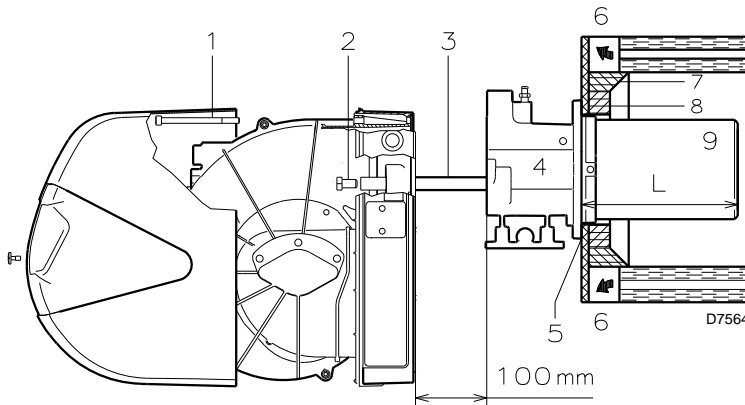


(A)

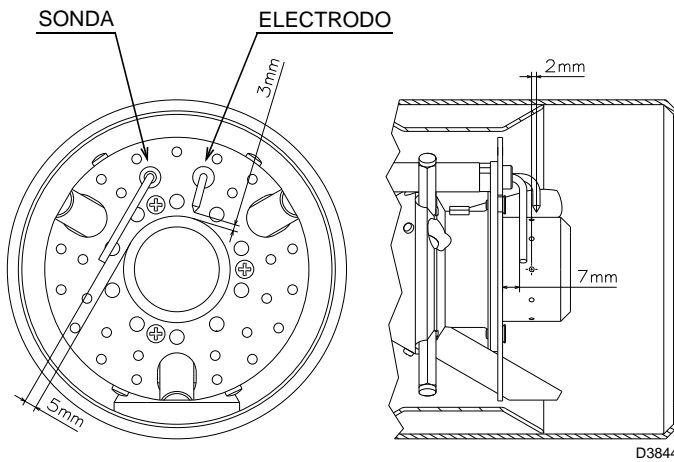
mm	A	B	C
RS 34/1 MZ	160	224	M 8
RS 44/1 MZ	160	224	M 8



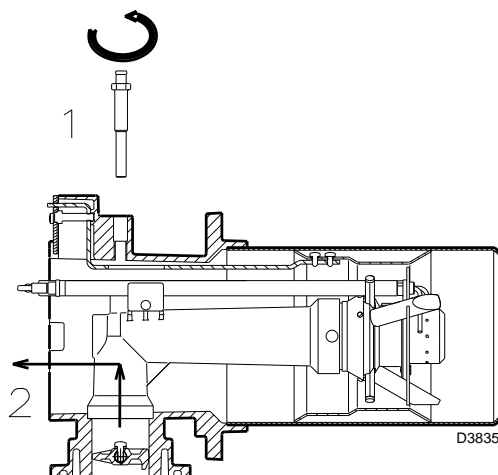
(B)



(C)



(D)



(E)

INSTALACIÓN

⚠ EL QUEMADOR SE DEBE INSTALAR DE CONFORMIDAD CON LAS LEYES Y NORMATIVAS LOCALES.

POSICIÓN DE FUNCIONAMIENTO (A)

⚠ El quemador está preparado exclusivamente para el funcionamiento en las posiciones 1, 2, 3 y 4.

Es conveniente escoger la instalación 1 puesto que es la única que permite el mantenimiento tal como descrito a continuación en este manual. Las instalaciones 2, 3 y 4 permiten el funcionamiento pero complican las operaciones de mantenimiento y de inspección del cabezal de combustión pág. 15.

⊘ Otra posición se debe considerar como comprometida para el funcionamiento correcto del aparato.

La instalación 5 está prohibida por motivos de seguridad.

PLACA CALDERA (B)

Taladrar la placa de cierre de la cámara de combustión tal como se indica en (B). Puede marcarse la posición de los orificios roscados utilizando la junta aislante que se suministra con el quemador.

LONGITUD TUBO LLAMA (C)

La longitud del tubo de llama debe seleccionarse de acuerdo con las indicaciones del fabricante de la caldera y, en cualquier caso, debe ser mayor que el espesor de la puerta de la caldera completa, con el material refractario incluido.

Las longitudes, L (mm), disponibles son:

Tubo llama	RS 34/1 MZ	RS 44/1 MZ
• corto	216	216
• largo	351	351

Para calderas con pasos de humos delanteros 6) o con cámara de inversión de llama, colocar una protección de material refractario 8) entre el refractario de la caldera 7) y el tubo de llama 9). Esta protección debe permitir el desplazamiento del tubo de llama.

En calderas con frontal refrigerado por agua, no es necesario el revestimiento refractario 7)-8)(C), salvo que lo indique el fabricante de la caldera.

FIJACIÓN DEL QUEMADOR A LA CALDERA (C)

Antes de fijar el quemador a la caldera, verificar (a través de la abertura del tubo de llama) si la sonda y el electrodo están correctamente posicionados como se muestra en la figura (D).

Separar luego el cabezal de combustión del resto del quemador, fig. (C):

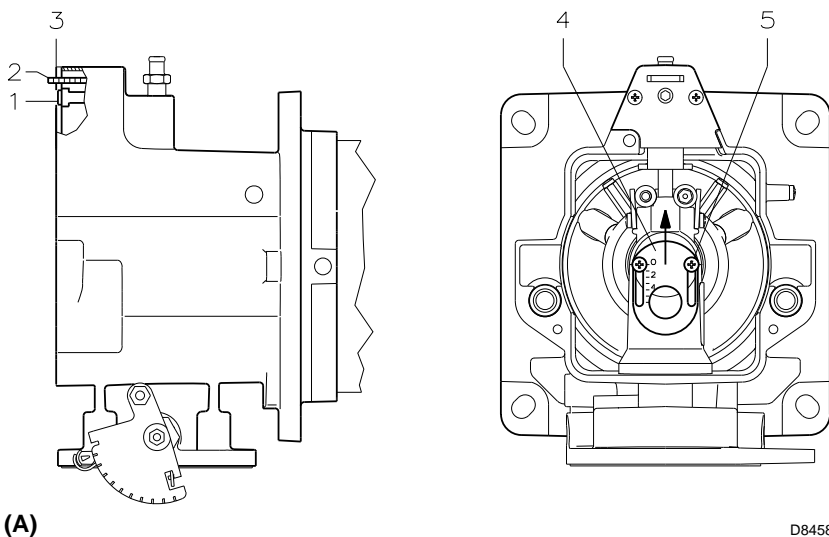
- desenroscar los tornillos 2) de las dos guías 3);
- desenroscar el tornillo 1) y desplazar el quemador por las guías 3) unos 100 mm;
- desconectar los cables de la sonda y del electrodo y desplazar todo el quemador de las guías.

Fijar el grupo 4)(C) a la placa de la caldera interponiendo la protección aislante 5)(C) suministrada de serie. Utilizar los 4 tornillos que se suministran, después de haber protegido la rosca con algún producto antibloqueo. El acoplamiento del quemador con la caldera debe ser hermético.

Si en la verificación anterior, la posición de la sonda o del electrodo no era correcta, desenroscar el tornillo 1)(E), extraer la parte interior 2)(E) del cabezal y calíbrelos. No hacer girar la sonda, sino dejarla como se indica en (D); ya que si se sitúa demasiado cerca del electrodo de encendido podría dañar el amplificador de la caja de control.

⚠ ATENCIÓN

Proceda al montaje de la parte interna 2)(E) del cabezal de combustión apretando el tornillo 1)(E) con par de apriete igual a $4 \div 6 \text{ Nm}$.



(A)

D8458

REGULACIÓN DEL CABEZAL DE COMBUSTIÓN

En este punto de la instalación, el tubo de llama y el collarín se fijan a la caldera como se indica en la fig. (A). De esta manera se agiliza notablemente la regulación del cabezal de combustión.

Regulación aire (A - B)

Girar el tornillo 1)(A) hasta que coincida la señal de la lámina 2)(A) con el plano de la placa 3)(A).

Ejemplo:

Quemador RS 44/1 MZ, potencia = 300 kW.

Del diagrama (B) se desprende que para la potencia MÁX de 300 kW la regulación del aire se debe situar en la posición 4, habiéndole restado el valor de presión en la cámara. En este caso, la pérdida de presión del cabezal de combustión se facilita en la columna 1 de la pág. 6 - 7.

Nota

Si la presión en la cámara es igual a 0 mbar, la regulación del aire se realiza tomando como referencia la línea discontinua del diagrama (B).

Regulación aire central (A - C)

Si la aplicación específica requiere una regulación particular, se puede modificar el caudal de aire central mediante la tuerca 4)(A) hasta la muesca que se indica en el diagrama (C).

Para realizar esta operación aflojar los tornillos 5)(A) y levantar la tuerca 4)(A). Luego, bloquear nuevamente los tornillos 5)(A).

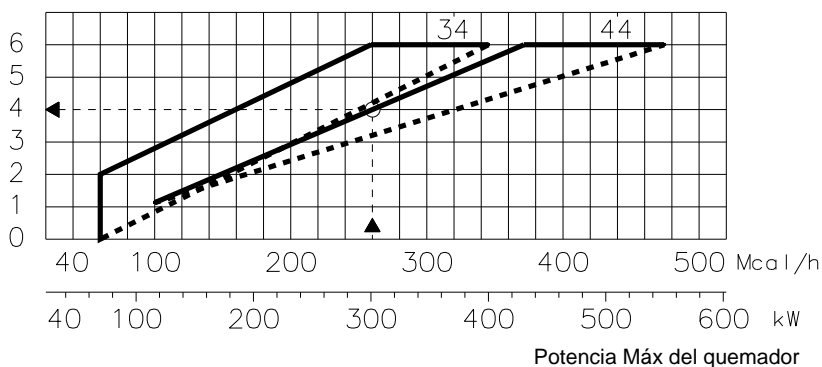
Finalizada la regulación del cabezal, volver a montar el quemador 4)(D) en las guías 3)(D) a unos 100 mm del collarín 5)(D) - quemador en la posición que muestra la fig. (C)p. 8 - conectar los cables de la sonda y del electrodo y a continuación desplazar el quemador hasta el collarín, quemador en la posición que muestra la fig. (D).

Volver a colocar los tornillos 2) en las guías 3). Fije el quemador al collarín utilizando el tornillo 1).

Atención

En el momento de cerrar el quemador en las guías, es conveniente tirar suavemente hacia afuera del cable de alta tensión y de la sonda para controlar la presencia de llama, hasta que estén ligeramente tensados.

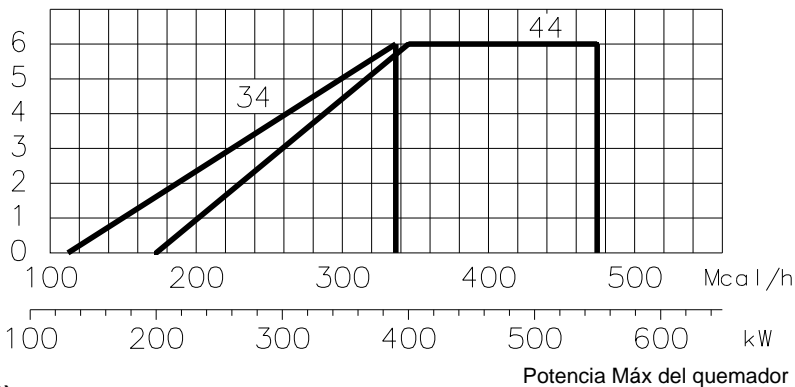
↓ N° de posición (aire = gas)



(B)

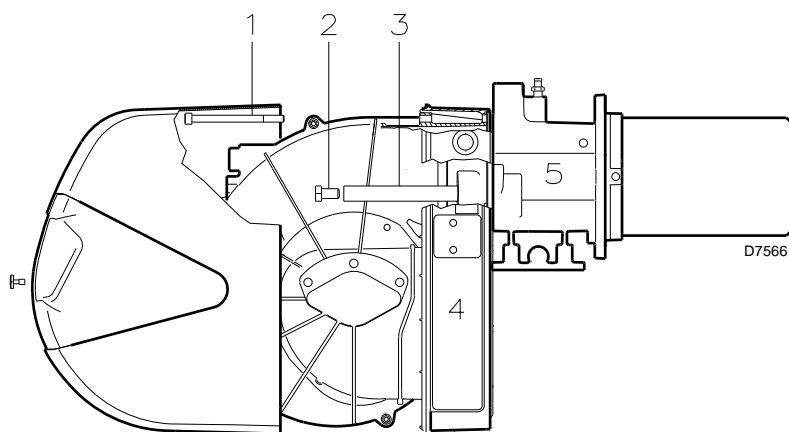
D7565

↓ N° de posición (aire = gas)



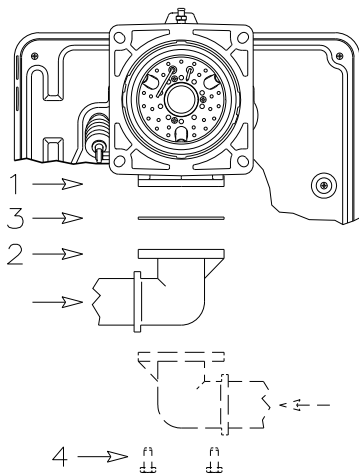
(C)

D8577



(D)

D7566



(A)

D3839

LÍNEA ALIMENTACIÓN DE GAS

- La rampa de gas va acoplada a la conexión de gas 1)(A), mediante la brida 2), la junta 3) y los tornillos 4, que se suministran con el quemador.
- La rampa puede llegar por la derecha o por la izquierda, según convenga. ver fig. (A).
- Las electroválvulas del gas deben estar lo más cerca posible del quemador, para asegurar la llegada del gas al cabezal de combustión en el tiempo de seguridad de 3 s.

RAMPA DE GAS (B)

Está homologada según la norma EN 676 y se suministra por separado, con el número de referencia que se indica en las tablas (C). Es posible utilizar la rampa de gas de la tabla (C) de una llama hasta una potencia de 550 KW, limitando el caudal de encendido según la norma, con la ayuda únicamente del freno, tal como especificado en la pág. 12.

LEYENDA (B)

- 1 - Conducto llegada gas
- 2 - Válvula manual
- 3 - Junta antivibratoria
- 4 - Manómetro con válvula de pulsador
- 5 - Multibloc que incluye:
 - filtro (sustituible)
 - válvula de funcionamiento una sola llama o dos llamas
 - regulador de presión
- 6 - Presostato gas de mínima
- 7 - Dispositivo de control de la estanqueidad de las válvulas.
Según la norma EN 676, el control de estanqueidad es obligatorio para quemadores con potencia máxima superior a 1200 kW.
- 8 - Junta
- 9 - Adaptador rampa de gas-quemador

P1 - Presión en el cabezal de combustión

P2 - Presión por encima de las válvulas/regulador

L - Rampa de gas suministrada por separado, con el N° de Ref. que se indica en las tablas (C)

L1 - A cargo del instalador

LEYENDA TABLAS (C)

C.T.= Dispositivo de control de estanqueidad de las válvulas de gas:

- = Rampa sin dispositivo de control de estanqueidad; dispositivo que se puede pedir por separado, véase columna 7, y ser montado sucesivamente.

◆ = Rampa con dispositivo de control de estanqueidad montado.

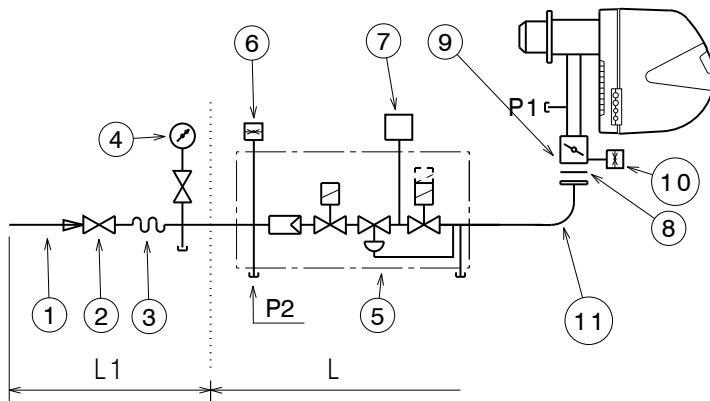
♣ = Con esta rampa no es posible activar el control de estanqueidad integrado.

7 = Dispositivo de control de estanqueidad válvulas VPS.
Se suministra aparte de la rampa de gas, sobre demanda.

9 = Adaptador rampa-quemador.
Se suministra aparte de la rampa de gas, sobre demanda.

Nota

Para la regulación de la rampa de gas, ver las instrucciones que acompañan a la misma.



(B)

D8066

QUEMADORES Y RAMPAS DE GAS HOMOLOGADAS SEGÚN NORMA EN 676

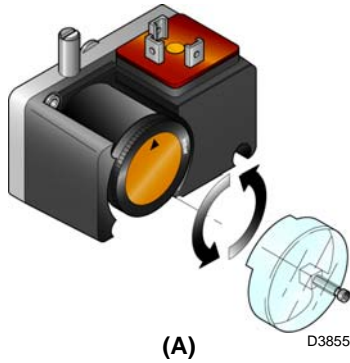
RAMPAS DE GAS L (una sola llama)				QUEMADOR		7	9
Código	Modelo	Ø	C.T.	RS 34/1	RS 44/1	Código	Código
3970602	MBC 120	3/4"	♣	•	-	-	3000824
3970553 3970229*	MB-DLE 407 S20	3/4"	-	•	-	3010123	3000824
3970599	MB-DLE 407 S52	3/4"	-	-	•	3010123	3000824
3970554 3970230*	MB-DLE 410 S20	1"	-	•	•	3010123	3000824
3970258	MB-DLE 410 S52	1"1/4"	-	-	•	3010123	3000824
3970144 3970231*	MB-DLE 412 S20	1"1/4"	-	•	•	3010123	-
3970180 3970232*	MB-DLE 415 S20	1"1/2"	-	•	•	3010123	-
3970181 3970233* 3970182 3970234*	MB-DLE 420 S20	2"	◆ ◆ ◆	•	•	3010123 3010123 -	3000822

RAMPAS DE GAS L (de dos llamas)				QUEMADOR		7	9
Código	Modelo	Ø	C.T.	RS 34/1	RS 44/1	Código	Código
3970046	MB-ZRDLE 407 S20	3/4"	-	•	-	3010123	3000824
3970079	MB-ZRDLE 410 S20	1"	-	•	•	3010123	3000824
3970152	MB-ZRDLE 412 S20	1"1/4"	-	•	•	3010123	-
3970183	MB-ZRDLE 415 S20	1"1/2"	-	•	•	3010123	-
3970184 3970185	MB-ZRDLE 420 S20	2"	◆ ◆	• •	• •	3010123 -	- 3000822

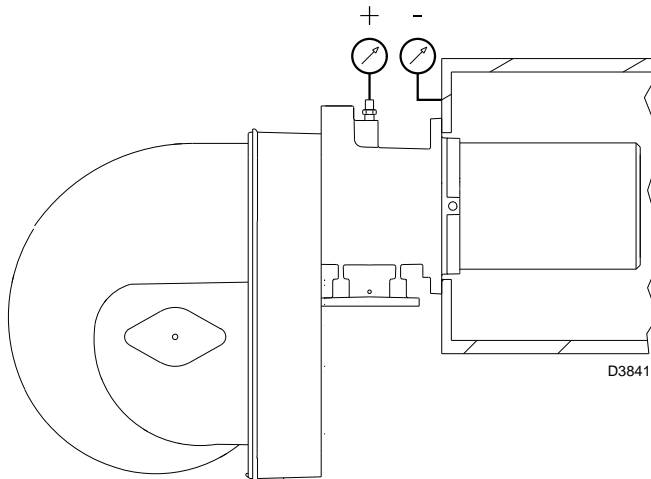
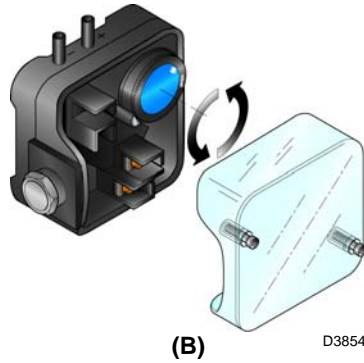
* Rampas con conector macho de seis contactos para la conexión al quemador.

(C)

PRESOSTATO GAS DE MÍN.



PRESOSTATO AIRE



(C)

REGULACIONES PREVIA AL ENCENDIDO

⚠ ATENCION

EL PRIMER ENCENDIDO DEBE SER REALIZADO POR PERSONAL CUALIFICADO Y CON LAS HERRAMIENTAS IDÓNEAS.

La regulación del cabezal de combustión, aire y gas, ya se ha descrito en la pág. 9.

Efectuar, además, las siguientes regulaciones:

- Abrir las válvulas manuales situadas antes de la rampa de gas.
- Regular el presostato gas de mínima al inicio de la escala (A).
- Regular el presostato aire al inicio de la escala (B).
- Purgar el aire de la línea de gas.

Es aconsejable evacuar el aire purgado al exterior del edificio (mediante un tubo de plástico) hasta notar el olor característico del gas.

- Instalar un manómetro (C) en la toma de presión del collarín.

Sirve para calcular, aproximadamente, la potencia del quemador mediante las tablas de la pág. 6 - 7.

- Conectar en paralelo a las dos electroválvulas de gas VR y VS, dos lámparas o un tester para controlar el momento de la llegada de tensión.

Esta operación no es necesaria si cada una de las electroválvulas va equipada de una luz piloto que señale la presencia de tensión eléctrica.

- Registro ventilador: dejar la regulación de fábrica.

Antes de poner en marcha el quemador, es conveniente regular la rampa de gas de forma que el encendido se produzca en condiciones de máxima seguridad, es decir, con un pequeño caudal de gas.

PUESTA EN MARCHA DEL QUEMADOR

Cerrar los termostatos.

Tan pronto se pone en marcha el quemador, controlar el sentido de giro de la turbina del ventilador a través del visor de llama 18)(A)p.4.

Verificar que las lámparas o el tester conectados a las electroválvulas, o las luces piloto de las propias electroválvulas, indiquen ausencia de tensión. Si señalan que hay tensión, parar **inmediatamente** el quemador y comprobar el conexionado eléctrico.

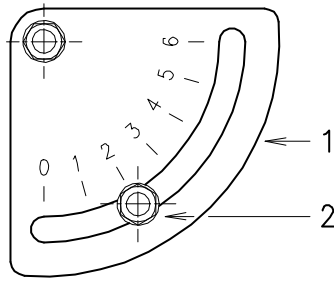
ENCENDIDO DEL QUEMADOR

Después de haber efectuado las operaciones descritas en el apartado anterior, el quemador debe de encenderse. Si el motor arranca pero no aparece llama y la caja de control se bloquea, rearmarla y efectuar un nuevo intento de puesta en marcha.

Si el encendido sigue sin producirse, puede ser debido a que el gas no llega al cabezal de combustión en el tiempo de seguridad de 3 segundos. En tal caso, aumentar el caudal de gas en el encendido.

La llegada de gas al collarín puede observarse en el manómetro (C).

Una vez efectuado el encendido, se procederá a la regulación completa del quemador.



(A)

D593

REGULACIÓN DEL QUEMADOR

Para lograr una regulación óptima del quemador, es necesario efectuar un análisis de los gases de escape de la combustión en la parte de la salida de la caldera.

Hay que regular en secuencia:

- 1 - Potencia máxima
- 2 - Presostato aire
- 3 - Presostato gas de mínima

DETERMINACIÓN DE LA POTENCIA DE ENCENDIDO (MÍNIMA)

Según norma EN 676.

Quemadores con potencia MÁX hasta 120 kW

El encendido puede efectuarse a la potencia máxima de funcionamiento. Ejemplo:

- potencia máxima de funcionamiento : 120 kW
- potencia máxima de encendido : 120 kW

Quemadores con potencia MÁX superior a 120 kW

El encendido debe efectuarse a una potencia reducida respecto a la potencia máxima de funcionamiento.

Si la potencia de encendido no supera los 120 kW, no es necesario hacer ningún cálculo. En cambio, si la potencia supera los 120 kW, la norma establece que su valor sea definido en función del tiempo de seguridad "ts" de la caja de control:

para "ts" = 3s la potencia de encendido debe ser igual o inferior a 1/3 de la potencia máxima de funcionamiento.

Ejemplo:

potencia MÁX de funcionamiento 450 kW.

La potencia de encendido debe ser igual o inferior a 150 kW con ts = 3s

Para medir la potencia de encendido:

- Desconectar el conector macho-hembra 23)(A)p.4 del cable de la sonda de ionización (el quemador se enciende y se bloquea pasado el tiempo de seguridad).
- Efectuar 10 encendidos con bloqueos consecutivos.
- Leer en el contador la cantidad de gas consumido.

Esta cantidad debe ser igual o inferior a la que nos da la fórmula, para ts = 3s:

$$Vg = \frac{Qa \text{ (caudal máx. quemador)} \times n \times ts}{3600}$$

Vg: volumen erogado en los encendidos realizados (Sm³)

Qa: caudal de encendido (Sm³/h)

n: número de encendidos (10)

ts: tiempo de seguridad (seg.)

Ejemplo para gas G 20 (9,45 kWh/Sm³):

potencia de encendido 150 kW

correspondientes a 15,87 Sm³/h.

Después de 10 encendidos con bloqueo, el caudal de gas medido en el contador debe ser igual o inferior a:

$$Vg = \frac{15,87 \times 10 \times 3}{3600} = 0,132 \text{ Sm}^3$$

1 - POTENCIA MÁXIMA

La potencia máxima se elige dentro del campo de trabajo que se indica en la pág. 5.

Regulación del gas

Medir el caudal de gas en el contador.

A título orientativo, puede determinarse mediante las tablas de la pág. 6 - 7, mirando la presión del gas en el manómetro, ver fig. (C) en pág. 11, y siguiendo las indicaciones de la pág.6.

- Si es necesario reducirla, disminuir la presión del gas a la salida y, si ya está al mínimo, cerrar un poco la electroválvula de regulación VR2
- Si es necesario aumentarla, incrementar la presión de gas a la salida del regulador.

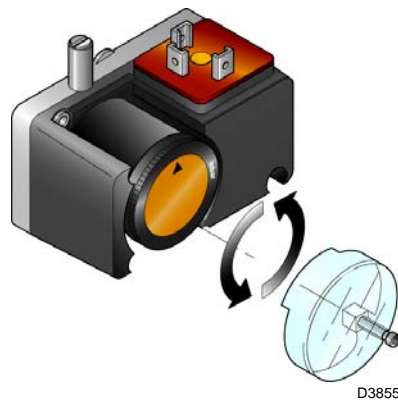
Regulación del aire

Regular el registro del ventilador usando el sector graduado 1)(A), después de haber aflojado tornillo 2)(A).

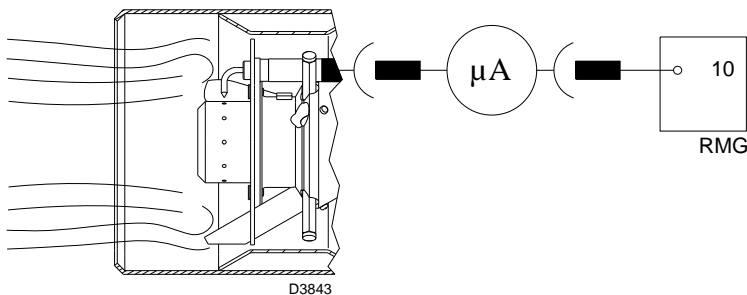


(A)

PRESOSTATO GAS DE MÍNIMA



(B)



(C)

NOTA

Una vez terminada la regulación de la potencia máxima volver a verificar el encendido: debe producirse un ruido parecido al de funcionamiento sucesivo. Si se observan pulsaciones, reducir el caudal de encendido.

2 - PRESOSTATO AIRE (A)

Efectuar la regulación del presostato de aire, después de haber efectuado todas las demás regulaciones del quemador, con el presostato de aire ajustado al inicio de la escala (A).

Con el quemador funcionando, introduzca en la chimenea un analizador de la combustión, cierre lentamente la boca de aspiración del ventilador (por ejemplo con un cartón) hasta que el valor de CO no supere los 100 ppm.

Después gire lentamente la maneta en el sentido de las agujas de reloj hasta que el quemador se bloquee.

A continuación, controle que la flecha indique hacia arriba en la escala graduada (A). Gire nuevamente la maneta en el sentido de las agujas del reloj hasta hacer coincidir el valor indicado en la escala graduada con la flecha indicando hacia abajo (A), se recupera así la histéresis del presostato representada por el campo blanco sobre fondo azul comprendido entre las dos flechas.

Controle ahora el correcto arranque del quemador.

Si el quemador se bloquea de nuevo, girar la maneta un poco más, en sentido contrario a las agujas del reloj.

3 - PRESOSTATO GAS DE MÍNIMA (B)

Con el quemador funcionando, aumentar la presión de regulación girando lentamente (en sentido horario) la maneta que se facilita a tal efecto, hasta que se pare el quemador.

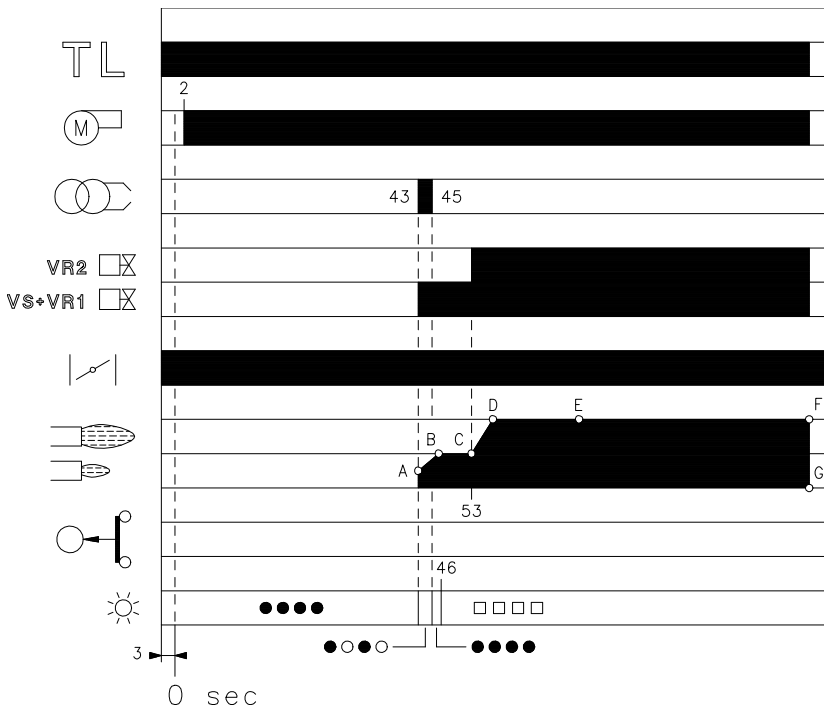
A continuación, girar dicha maneta en sentido contrario a las agujas del reloj 5 mbar y repetir el arranque del quemador para verificar la regularidad de funcionamiento.

Si el quemador se para de nuevo, girar el botón en sentido contrario a las agujas del reloj 1 mbar.

CONTROL PRESENCIA LLAMA (C)

El quemador está dotado de un sistema de ionización para controlar la presencia de la llama. La intensidad mínima para el buen funcionamiento de la caja de control es de 5 μ A. El quemador genera una intensidad muy superior, no requiriendo normalmente ningún control. Sin embargo, si se desea medir la corriente de ionización, es preciso desenchufar el conector 23)(A)p.4 del cable de la sonda de ionización y conectar un microamperímetro de corriente continua de una baja escala de 100 μ A. Atención a la polaridad.

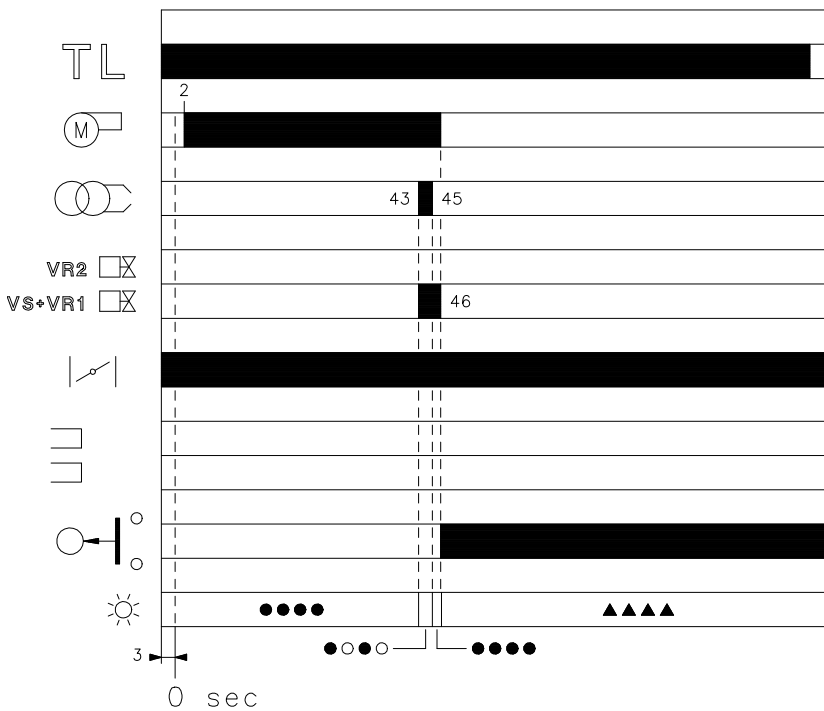
ENCENDIDO REGULAR
(n° = segundos desde el instante 0)



* ○ Apagado ● Amarillo □ Verde ▲ Rojo
Para mayores informaciones, véase la pág. 16.

(A) D3024

FALTA DE ENCENDIDO



* ○ Apagado ● Amarillo ▲ Rojo
Para mayores informaciones, véase la pág. 16.

(B) D3025

FUNCIONAMIENTO DEL QUEMADOR

PUESTA EN MARCHA DEL QUEMADOR (A)

- Se cierra el termostato TL.
Después de alrededor de 3 s:
- 0 s : Inicia el programa la caja de control.
- 2 s : Se pone en marcha el motor ventilador.
El registro de aire se sitúa en la posición de potencia máxima de regulación.
Sigue la fase de prebarrido.
- 43 s : Se genera chispa en el electrodo de encendido.
Se abren la válvula de seguridad VS y la 1° llama VR1 de la válvula de regulación VR. El obturador de la válvula VR1 tiene una primera carrera rápida que determina el encendido de una pequeña potencia, punto A, a la que sigue una carrera lenta. La potencia aumenta progresivamente hasta el valor de 1° llama, trazo A-B.
- 45 s : Cesa la chispa.
- 53 s : Se abre la 2° llama VR2 de la válvula VR y la potencia pasa lentamente desde la 1° llama hacia el valor máximo de regulación, trazo C-D.
- Finaliza el ciclo de puesta en marcha de la caja de control.

FUNCIONAMIENTO A RÉGIMEN (A)

Finalizado el ciclo de puesta en marcha, la caja de control sigue controlando la presencia de llama y la correcta posición del presostato del aire.

El quemador sigue funcionando con potencia constante.

Si la temperatura o la presión en la caldera sigue aumentando y abre el telemando TL, el quemador se apaga, trazo F-G.

FALTA DE ENCENDIDO (B)

Si el quemador no se enciende, se produce el bloqueo del mismo a los 3 segundos de la apertura de la válvula de gas y a los 49 segundos del cierre del termostato TL.
El led rojo del aparato se enciende.

EXTINCIÓN DE LA LLAMA DURANTE EL FUNCIONAMIENTO

Si la llama se apaga durante el funcionamiento, el quemador se bloquea en 1 segundo.


CONTROLES FINALES (con el quemador en funcionamiento):


- desconectar un cable del presostato gas de mínima;
 - abrir el termostato/presostato TL;
 - abrir el termostato/presostato TS;
- el quemador debe detenerse.
- Desconectar el tubo de aducción aire en el presostato;
 - desconectar el cable de la sonda de ionización;


el quemador debe bloquearse.

Comprobar que los bloqueos mecánicos de los dispositivos de regulación estén bien apretados.

MANTENIMIENTO

 El quemador precisa un mantenimiento periódico que debe ser ejecutado por personal especializado **y de conformidad con las leyes y normativas locales.**

 El mantenimiento periódico es fundamental para un buen funcionamiento del quemador; y evita asimismo los consumos de combustible excesivos y, por lo tanto, la emisión de agentes contaminantes.

 Antes de realizar cualquier operación de limpieza o control, apague la alimentación eléctrica del quemador utilizando el interruptor principal del sistema.

Combustión

Efectuar el análisis de los gases de escape de la combustión. Las diferencias significativas respecto al último análisis indicarán los puntos donde deberán centrarse las operaciones de mantenimiento.

Fugas de gas

Comprobar que no haya fugas de gas en el conducto contador-quemador.

Filtro de gas

Sustituir el filtro del gas cuando esté sucio (véase instrucción rampa).

Cabezal de combustión

Abrir el quemador y verificar que todas las partes del cabezal de combustión estén intactas, no estén deformadas por las altas temperaturas, no tengan suciedad proveniente del ambiente y estén correctamente posicionadas. En caso de duda, desmonte el codo.

Quemador

Verificar que no haya un desgaste anormal o tornillos flojos en los mecanismos que controlan el registro del aire y la válvula de mariposa del gas. Igualmente, los tornillos que fijan los cables eléctricos en la regleta del quemador deben estar bien apretados.

Limpiar exteriormente el quemador.

Combustión

Regular el quemador si los valores de la combustión obtenidos al inicio de la intervención no cumplen las Normas en vigor o no corresponden a una buena combustión.

Anotar en una ficha de control los nuevos valores de la combustión; serán útiles para controles sucesivos.

DIAGNOSIS PROGRAMA DE ARRANQUE

Durante el programa de arranque, las indicaciones se explican en la siguiente tabla:

TABLA CÓDIGO COLOR	
Secuencias	Código color
Preventilación	● ● ● ● ● ● ● ● ● ●
Fase de encendido	● ○ ● ○ ● ○ ● ○ ●
Funcionamiento con llama ok	□ □ □ □ □ □ □ □ □ □
Funcionamiento con señal de llama débil	□ ○ □ ○ □ ○ □ ○ □
Alimentación eléctrica inferior a ~ 170V	● ▲ ● ▲ ● ▲ ● ▲ ●
Bloqueo	▲ ▲ ▲ ▲ ▲ ▲ ▲ ▲ ▲
Luz extraña	▲ □ ▲ □ ▲ □ ▲ □ ▲
Legenda:	○ Apagado ● Amarillo □ Verde ▲ Rojo

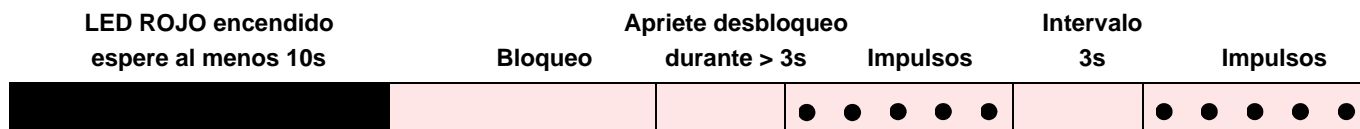
DESBLOQUEO CAJA DE CONTROL Y USO DIAGNOSIS

La caja de control suministrada de serie tiene una función diagnóstica mediante la que es posible individualizar fácilmente las posibles causas de un mal funcionamiento (indicación: **DIODO ELECTROLUMINISCENTE (LED) ROJO**).

Para utilizar tal función, hay que esperar por lo menos 10 segundos desde el instante de la puesta en seguridad (**bloqueo**) y apretar después el botón de desbloqueo.

La caja de control genera una secuencia de impulsos (después de un segundo) que se repite a intervalos constantes de 3 segundos.

Una vez controlado el número de destellos e identificada la posible causa, hay que poner en cero el sistema manteniendo apretado el botón durante un tiempo comprendido entre 1 y 3 segundos.



A continuación se enumeran las metodologías posibles para realizar el desbloqueo de la caja de control y para usar la diagnosis.

DESBLOQUEO CAJA DE CONTROL

Para desbloquear la caja de control proceder de la siguiente manera:

- Apretar el botón durante un tiempo comprendido entre 1 y 3 segundos.
El quemador vuelve a arrancar después de una pausa de 2 segundos desde haber soltado el botón.
En caso de que el quemador no vuelva arrancar, es necesario controlar el cierre del termostato límite.

DIAGNOSIS VISUAL

Indica la tipología de avería del quemador que conlleva el bloqueo.

Para visualizar la diagnosis, proceder de la siguiente manera:

- Mantener apretado el botón durante más de 3 segundos desde la condición de led rojo fijo (bloqueo quemador).
El final de la operación se indicará con una luz intermitente amarilla.
Suelte el botón cuando comiencen los destellos amarillos. El número de parpadeos indica la causa del problema de funcionamiento, según el código que se indica en la tabla de la página 17.

DIAGNOSIS SOFTWARE

Realiza el análisis de la vida del quemador mediante una conexión óptica a una PC indicando sus horas de funcionamiento, número y tipologías de bloqueos, número de serie de la caja de control, etc...

Para visualizar la diagnosis, proceder de la siguiente manera:

- Mantener apretado el botón durante más de 3 segundos desde la condición de led rojo fijo (bloqueo quemador).
El final de la operación se indicará con una luz intermitente amarilla.
Soltar el botón durante 1 segundo y apretarlo de nuevo después durante más de 3 segundos hasta que aparezca una intermitencia posterior de color amarillo.
Al soltar el botón el led rojo se iluminará de forma intermitente con una frecuencia elevada: sólo entonces será posible introducir la conexión óptica.

Después de haber realizado la operación es necesario restablecer el estado inicial de la caja de control mediante el procedimiento de desbloqueo arriba descrito.

PRESIÓN EN EL BOTÓN	ESTADO DE LA CAJA DE CONTROL
De 1 a 3 segundos	Desbloqueo de la caja de control sin visualizar la diagnosis visual.
más de 3 segundos	Diagnosis visual de la condición de bloqueo: (relampagueo led con intermitencia de un segundo).
Más de 3 segundos desde la condición de diagnosis visual	Diagnosis software mediante ayuda de interfaz óptica y PC (posibilidad de observar las horas de funcionamiento, las anomalías, etc.)

La secuencia de los impulsos emitidos por la caja de control identifica los posibles tipos de avería que se mencionan en la página 17.

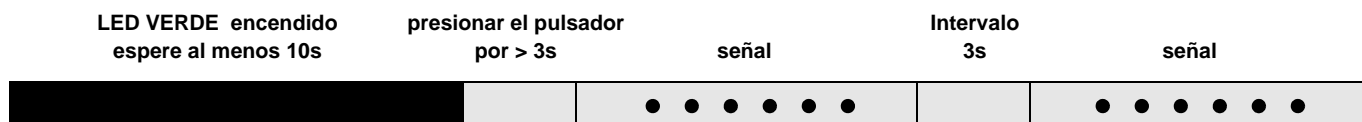
Señal	Anomalía	Causa probable	Solución
2 parpadeos ● ●	Superada la pre-ventilación y el tiempo de seguridad, el quemador se bloquea sin aparecer la llama	1 - La electroválvula de funcionamiento deja pasar poco gas 2 - Una de las dos electroválvulas no se abre. 3 - Presión gas demasiado baja 4 - Electrodo de encendido mal regulado 5 - Electrodo a masa para aislante roto 6 - Cable de alta tensión defectuoso. 7 - Cable de alta tensión deformado por la alta temperatura 8 - Transformador de encendido defectuoso 9 - Conexiones eléctricas válvulas o transformador de encendido incorrectas 10 - Caja de control defectuosa 11 - Una válvula antes de la rampa de gas, cerrada 12 - Aire en las tuberías 13 - Válvulas de gas no conectadas o con bobina interrumpida	Aumentarlo Sustituirlas Aumentarla en el regulador Regularlo; ver fig. (D) pág. 8 Sustituirlo Sustituirlo Sustituirlo y protegerlo Sustituirlo Comprobarlas Sustituirla Abrirla Purgarlo Verificar las conexiones o sustituir bobina
3 parpadeos ● ● ●	El quemador no arranca y aparece el bloqueo El quemador arranca y luego se bloquea Bloqueo durante la pre-ventilación	14 - Presostato aire en posición de funcionamiento. - El presostato aire no conmuta por presión aire insuficiente: 15 - Presostato de aire mal regulado 16 - Tubo toma presión del presostato obstruido 17 - Cabezal mal regulado 18 - Alta depresión en el hogar 19 - Contactor mando motor defectuoso. (sólo versión trifásica) 20 - Motor eléctrico defectuoso. 21 - Bloqueo motor (sólo versión trifásica)	Regularlo o sustituirlo Regularlo o sustituirlo Limpiarlo Regularlo Conectar presostato aire a la aspiración ventilador Sustituirlo Sustituirlo Sustituirlo
4 parpadeos ● ● ● ●	El quemador arranca y luego se bloquea Bloqueo al pararse del quemador	22 - Simulación de llama. 23 - Hay llama en el cabezal de combustión o simulación de llama	Sustituir la caja de control Eliminar permanencia de llama o sustituir caja de control
7 parpadeos ● ● ● ● ● ● ● ●	El quemador se bloquea al aparecer la llama En funcionamiento, el quemador se bloquea	24 - La electroválvula de funcionamiento deja pasar poco gas 25 - Sonda de ionización mal regulada. 26 - Ionización insuficiente (inferior a 5 A) 27 - Sonda a masa 28 - Insuficiente puesta a tierra del quemador 29 - Fase y neutro invertidos. 30 - Avería del circuito de detección llama 31 - Sonda o cable ionización a masa	Aumentarlo Regularla, ver fig. (D) pág. 8 Controlar posición sonda Separarla o sustituir cable Revisar la puesta a tierra Invertir Sustituir la caja de control Sustituir la(s) pieza(s) deteriorada(s)
10 parpadeos ● ● ● ● ● ● ● ● ● ●	El quemador no arranca y aparece el bloqueo El quemador se bloquea	32 - Conexiones eléctricas incorrectas 33 - Caja de control defectuosa 34 - Presencia de perturbaciones electromagnéticas en las líneas de termostatos 35 - Presencia de perturbaciones electromagnéticas	Comprobarlas Sustituirla Filtrarlas o eliminarlas Utilizar el kit protección contra las interferencias radio
Ningún parpadeo	El quemador no arranca El quemador repite el ciclo de arranque sin bloquearse Encendidos con pulsaciones	36 - Falta tensión eléctrica 37 - Un telemando de límite o de seguridad abierto. 38 - Fusible de línea fundido. 39 - Caja de control defectuosa 40 - Falta de gas. 41 - Presión gas en red insuficiente 42 - El presostato gas de mínima no cierra 43 - La presión del gas en red es cercana al valor con el cual se ha regulado el presostato gas de mín. La disminución repentina de presión que sigue a la apertura de la válvula, provoca la apertura temporánea del presostato, inmediatamente la válvula se cierra y se detiene el quemador. La presión vuelve a aumentar, el presostato se cierra y hace que se repita el ciclo de arranque. Y así sucesivamente. 44 - Cabezal mal regulado 45 - Electrodo de encendido mal regulado 46 - Registro ventilador mal regulado, demasiado aire. 47 - Potencia de encendido demasiado elevada	Cerrar interruptores; comprobar conexiones Regularlo o sustituirlo Sustituirlo Sustituirla Abrir válvulas manuales entre contador y rampa Regularlo o sustituirlo Reducir la presión de intervención del presostato gas de mínima. Sustituir el cartucho del filtro gas. Regular. Ver pág. 9 Regularlo; ver fig. (D) pág. 8 Regularlo Reducirla

FUNCIONAMIENTO NORMAL / TIEMPO DE DETECCIÓN LLAMA

La caja de control tiene una función ulterior mediante la que es posible asegurarse del correcto funcionamiento del quemador (señal: **LED VERDE** permanentemente encendido).

Para utilizar tal función, hay que esperar al menos 10 segundos desde el instante de encendido del quemador y presionar el pulsador de la caja de control durante un tiempo mínimo de 3 segundos.

Después de haber soltado el pulsador, el LED VERDE comenzará a parpadear, como ilustra la siguiente imagen.



Los parpadeos del LED aparecen con intervalos de aproximadamente 3 segundos.

El número de parpadeos determinará el TIEMPO DE DETECCIÓN de la sonda desde la apertura de las válvulas gas, según la siguiente tabla.

SEÑAL	TIEMPO DE DETECCIÓN LLAMA
1 parpadeo ●	0.4 s
2 parpadeos ● ●	0.8 s
6 parpadeos ● ● ● ● ● ●	2.8 s

A cada arranque del quemador, se actualiza este dato.

Una vez realizada la lectura, apretando brevemente el pulsador de la caja de control, el quemador repite el ciclo de arranque.

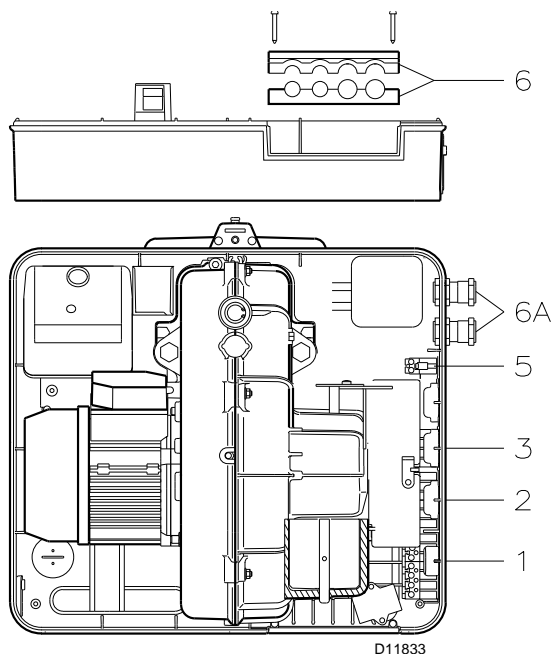
ATENCIÓN

Si resulta un tiempo > 2 s se tiene el encendido retrasado. Controle la regulación del freno hidráulico en la válvula gas y la regulación registro de aire y cabezal de combustión.

KIT INTERFACE ADAPTER RMG TO PC Código 3002719

APÉNDICE

Conexión eléctrica



NOTAS

Las conexiones eléctricas se deben realizar según las normas vigentes del país de destino y por personal cualificado.

Riello S.p.A. declina toda responsabilidad por modificaciones o conexiones diferentes de las indicadas en estos esquemas.

Utilizar cables flexibles según norma EN 60 335-1.

Todos los cables que se conecten al quemador deben pasar por los pasacables.

El uso de los pasacables se puede realizar de formas diferentes; a modo de ejemplo, indicamos la forma siguiente:

RS 34-44/1 MZ

- 1- Conector hembra de 7 contactos para alimentación monofásica, termostato/presostato TL
- 2- Conector hembra de 6 contactos para válvula de gas, presostato gas o dispositivo para el control de estanqueidad válvulas
- 3- Conector hembra de 4 contactos para termostato/presostato TR
- 5- Conector hembra de 2 contactos para accesorio
- 6 - 6A Predisposiciones para racores
(Agujerear en caso de necesidad de los racores 6A)

NOTA

Los quemadores RS 34-44/1 MZ han sido homologados para funcionar de modo intermitente. Ello significa que deben pararse "por Norma" al menos una vez cada 24 horas para permitir que la caja de control efectúe una verificación de la eficacia al arranque. Normalmente la detención del quemador está asegurada por el termostato/presostato de la caldera. Si no fuese así, debería colocarse en serie con el interruptor IN, un interruptor horario que parase el quemador al menos una vez cada 24 horas.



ATENCIÓN:

- No invertir el neutro con la fase en la línea de alimentación eléctrica. la inversión provocaría un bloqueo por fallo en el encendido.
- Sustituir los componentes sólo con recambios originales.

DECLARAÇÃO DE CONFORMIDADE A.R. 8/01/2004 & 17/07/2009 – Bélgica

Produtor: RIELLO S.p.A.
I - 37045 Legnago (VR)
Tel. +39.0442.630111

Colocada em circulação por: RIELLO NV
Ninovesteenweg 198
9320 Erembodegem
Tel. (053) 769 030
Fax. (053) 789 440
e-mail. info@riello.be
URL. www.riello.be

Certifica-se com a presente que a série de equipamentos especificada a seguir está conforme ao modelo do tipo descrito na declaração de conformidade CE, e é produzida e colocada em circulação em conformidade aos pedidos definidos no Decreto-lei de 8 de Janeiro de 2004 e 17 Julho 2009.

Tipo de produto: Queimador a gás com ar insuflado

		Modelo	
		886 T	873 T
Valores medidos *	média NOx (mg/kWh)	100	95
	CO max (mg/kWh)	9	8

* Funcionamento a gás natural (Fam. 2)

Norma aplicada: EN 676 e A.R. de 8 de Janeiro de 2004 - 17 Julho 200

Organismo de controlo: TÜV SÜD Industrie Service GmbH
Ridlerstrase, 65
80339 München DEUTSCHLAND

Data: 31/03/2010

Declaração do fabricante

RIELLO S.p.A. declara que os seguintes produtos respeita os valores limite dos NOx impostos pela normativa alemã "1. BImSchV versão 26.01.2010".

Produto	Tipo	Modelo	Potência
Queimador a gás com ar insuflado	873 T	RS 44/1 MZ	86-550 kW

Legnago, 01.08.2011

Ing. G. Conticini
Direção Divisão Queimadores
RIELLO S.p.A.



- ▶ O queimador é **munido de marcação CE** e conforme aos requisitos essenciais das seguintes Directivas:
 - CE Reg. N.: **0085BR0380** segundo 90/396/CEE;
 - Directiva Compatibilidade Electromagnética 2004/108/CE;
 - Directiva baixa tensão 2006/95/CE;
 - Directiva Máquinas 2006/42/CE;
- ▶ O queimador responde ao grau de protecção IP 40 segundo EN 60529.

IDENTIFICAÇÃO

A Chapa de identificação do produto contém o número de matrícula, o modelo e os principais dados técnicos e de rendimentos. A alteração, remoção, a falta da Chapa de identificação não consente a identificação segura do produto e torna dificultosa e/ou perigosa qualquer operação de instalação e de manutenção.

ADVERTÊNCIAS GERAIS

Para garantir uma combustão com uma taxa mínima de emissões poluidoras, as dimensões e o tipo de câmara de combustão do gerador de calor, devem corresponder a valores bem definidos.

Portanto, antes de escolher este tipo de queimador para associá-lo com uma caldeira é aconselhável consultar o Serviço Técnico de Assistência.

O pessoal habilitado é aquele que possui os requisitos técnicos e profissionais indicados pela lei de 5 de Março de 1990 n° 46. A organização comercial dispõe de uma rede capilar de agências e serviços técnicos cujo pessoal participa periodicamente a cursos de Instrução e actualização no Centro de Formação empresarial.

Este queimador deve ser destinado somente ao uso para o qual foi expressamente realizado.

É excluída qualquer responsabilidade contratual e extracontratual do fabricante pelos danos causados a pessoas, animais e coisas por erros na instalação e calibragem do queimador, por uso impróprio, erróneo e irracional, por não observância do manual de instruções entregue com o próprio queimador e pela intervenção de pessoal não habilitado.

INFORMAÇÕES PARA O UTILIZADOR


No caso se verificasse anomalias no acendimento ou no funcionamento, o queimador efectuará uma “paragem de segurança”, identificado com a sinalização vermelha de bloqueio do queimador. Para restabelecer as condições de arranque premer o botão de desbloqueio. No momento em que o queimador começa funcionar de novo, a luz vermelha desliga-se.

A dita operação pode ser repetida ao máximo por 3 vezes. No caso de repetidas “paragens de segurança” impõe a intervenção do Serviço Técnico de Assistência.

REGRAS FUNDAMENTAIS DE SEGURANÇA

- ▶ É proibido o uso do aparelho por parte de crianças ou pessoas inexperientes.
- ▶ É rigorosamente proibido tapar as grelhas de aspiração ou de dissipação e a abertura de ventilação do local onde está instalado o aparelho com farrapos, papéis ou outro tipo de material.
- ▶ O pessoal não autorizado está proibido de efectuar qualquer tipo de reparação do aparelho.
- ▶ É perigoso puxar ou torcer os cabos eléctricos.
- ▶ É proibido efectuar qualquer operação de limpeza antes de ter desligado o aparelho da rede de alimentação eléctrica.
- ▶ Não efectuar limpezas do queimador nem nas suas peças com substâncias facilmente inflamáveis (ex. gasolina, álcool, etc.).
A limpeza da capa deve ser efectuada somente com água ensaboada.
- ▶ Não apoiar objectos sobre o queimador.
- ▶ Não deixar contentores e substâncias inflamáveis no local onde está instalado o aparelho.

Em algumas partes do manual são utilizados os símbolos:

 **ATENÇÃO** = para acções que requerem um particular cuidado e uma preparação adequada.

 **PROIBIDO** = para acções que **NÃO DEVEM** absolutamente ser executadas.

DADOS TÉCNICOS	página 2
Versões construtivas	2
Acessórios	2
Descrição do queimador	3
Embalagem - Peso	3
Dimensões máximas	3
Forma de fornecimento	3
Campos de trabalho	4
Caldeira de ensaio	4
Caldeiras comerciais	4
Pressão do gás	5
INSTALAÇÃO	7
Placa da caldeira	7
Comprimento do tubo de fogo	7
Fixação do queimador à caldeira	7
Regulação do cabeçal de combustão	8
Linha de alimentação gás	9
Linha de gás	9
Regulação prévia ao acendimento	10
Arranque do queimador	10
Acendimento do queimador	10
Regulação do queimador:	11
1 - Potência máxima	11
2 - Pressostato de ar	12
3 - Pressostato gás de mínima	12
Controlo de presença de chama	12
Funcionamento a regime	13
Controlo final	14
Manutenção	14
Diagnóstico do programa de arranque	15
Desbloqueio do equipamento e utilização do diagnóstico	15
Anomalia - Causa Provável - Solução	16
Funcionamento normal / tempo de observação da chama	17
APÊNDICE	18
Esquema quadro eléctrico	19

Nota

As figuras mencionadas no texto identificam-se da seguinte forma:

1)(A) =Pormenor 1 da figura A, na mesma página que o texto;

1)(A)p.3 =Pormenor 1 da figura A, página 3.

INTRODUÇÃO

O manual de instrução fornecido junto com o queimador:

- é parte integrante e essencial do produto e não deve ser separado do mesmo; portanto, deve ser conservado com cuidado caso se necessite consultá-lo, e deve acompanhar o queimador se este for cedido a um outro proprietário ou usuário, ou em caso de transferência a um outro estabelecimento. Em caso de dano ou perda, de ser pedido um outro exemplar ao Serviço de Assistência Técnica **RIELLO** de Zona;
- foi realizado para ser utilizado por pessoal qualificado;
- fornece importantes indicações e advertências sobre a segurança na instalação, a colocação em funcionamento, o uso e a manutenção do queimador.

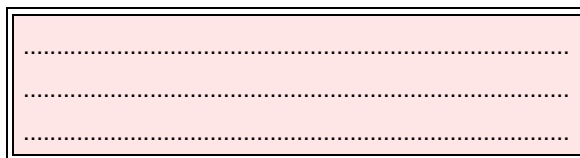
ENTREGA DA INSTALAÇÃO E DO MANUAL DE INSTRUÇÕES

Por ocasião da entrega da instalação, é necessário que:

- O manual de instruções seja entregue pelo fornecedor da instalação ao usuário, com a advertência que este seja conservado no local de instalação do gerador de calor.
- No manual de instruções estão indicados:
 - o número de matrícula do queimador;



- o endereço e o número de telefone do Centro de Assistência mais próximo;



- O fornecedor da instalação deve informar o usuário atentamente sobre:

- o uso da instalação,
- os eventuais ulteriores testes que forem necessários antes da activação da instalação,
- a manutenção e a necessidade de submeter a instalação pelo menos uma vez por ano ao controlo de um funcionário do Construtor ou por um outro técnico especializado.

Para garantir um controlo periódico, **RIELLO** recomenda-se a estipulação de um Contrato de Manutenção.

DADOS TÉCNICOS

MODELO		RS 34/1 MZ		RS 44/1 MZ	
TIPO		886 T		873 T	
POTÊNCIA (1)		70 - 390 60 - 336		100 - 550 86 - 473	
		kW			
		Mcal/h			
COMBUSTÍVEL		GAS NATURAL: G20 - G21 - G22 - G23 - G25			
		G20		G25	
- poder calorífico inferior		kWh/Sm ³ 8,2		8,13 7,0	
		Mcal/Sm ³			
- densidade absoluta		kg/Sm ³			
- caudal máximo		Sm ³ /h			
- pressão a máximo caudal (2)		mbar			
FUNCIONAMENTO		<ul style="list-style-type: none"> Intermitente (mín. 1 paragem em 24 horas). 1 chama (tudo-nada) Caldeiras: de água, a vapor e óleo diatérmico			
TEMPERATURA AMBIENTE		°C			
TEMPERATURA AR COMBURENTE		°C máx			
		V			
		Hz			
MOTOR ELÉCTRICO		rpm		2800/3400	
		W		300	
		V		220 - 240	
		A		2,4	
INTENSIDADE DE ARRANQUE		A		11	
INTENSIDADE DE FUNCIONAMENTO		A		3,2	
CONDENSADOR DO MOTOR		µF/V		12,5/400	
TRANSFORMADOR DE ACENDIMENTO		V1 - V2			
		I1 - I2			
POTÊNCIA ELÉCTRICA ABSORVIDA		W max		600	
		IP 40			
NÍVEL SONORO (3) POTÊNCIA ACÚSTICA		dBA		68	
		CE		79	
				0085BR0380	
				70	
				81	
				0085BR0380	

(1) Condições de referência: Temperatura ambiente 20°C - Temperatura gás 15°C - Pressão barométrica 1013 mbar - Altitude acima do nível do mar 0 metros.

(2) Pressão na tomada 8)(A) p.4 com pressão zero em câmara de combustão, à potência máxima do queimador.

(3) Teste das emissões acústicas realizadas segundo a normativa EN 15036-1 com exactidão de medida $\sigma = \pm 1,5$ dB, no laboratório de combustão do construtor com queimador funcionando em caldeira de ensaio à máxima potência.

VERSÕES CONSTRUTIVAS

Modelo	Comprimento do tubo de fogo mm
RS 34/1 MZ	216
	351
RS 44/1 MZ	216
	351

CATEGORIA GÁS

PAÍS	CATEGORIA
IT - AT - GR - DK - FI - SE	II ₂ H3B / P
ES - GB - IE - PT	II ₂ H3P
NL	II ₂ L3B / P
FR	II ₂ E3P
DE	II ₂ ELL3B / P
BE	I ₂ E(R)B, I ₃ P
LU	II ₂ E 3B/P

ACESSÓRIOS (por encomenda):**• KIT PROTECÇÃO CONTRA AS RÁDIO-INTERFERÊNCIAS**

No caso de instalação do queimador em ambientes especiais sujeitos a rádio-interferências (emissão de sinais superiores a 10 V/m) devido a presença de INVERTER ou em aplicações onde os comprimentos das conexões do termostato superem os 20 metros, está disponível um kit de protecção como interface entre a aparelhagem e o queimador.

QUEIMADOR	RS 34/1 MZ - RS 44/1 MZ
Código	3010386

• KIT CABEÇA COMPRIDA

QUEIMADOR	RS 34/1 MZ	RS 44/1 MZ
Código	3010428	3010429

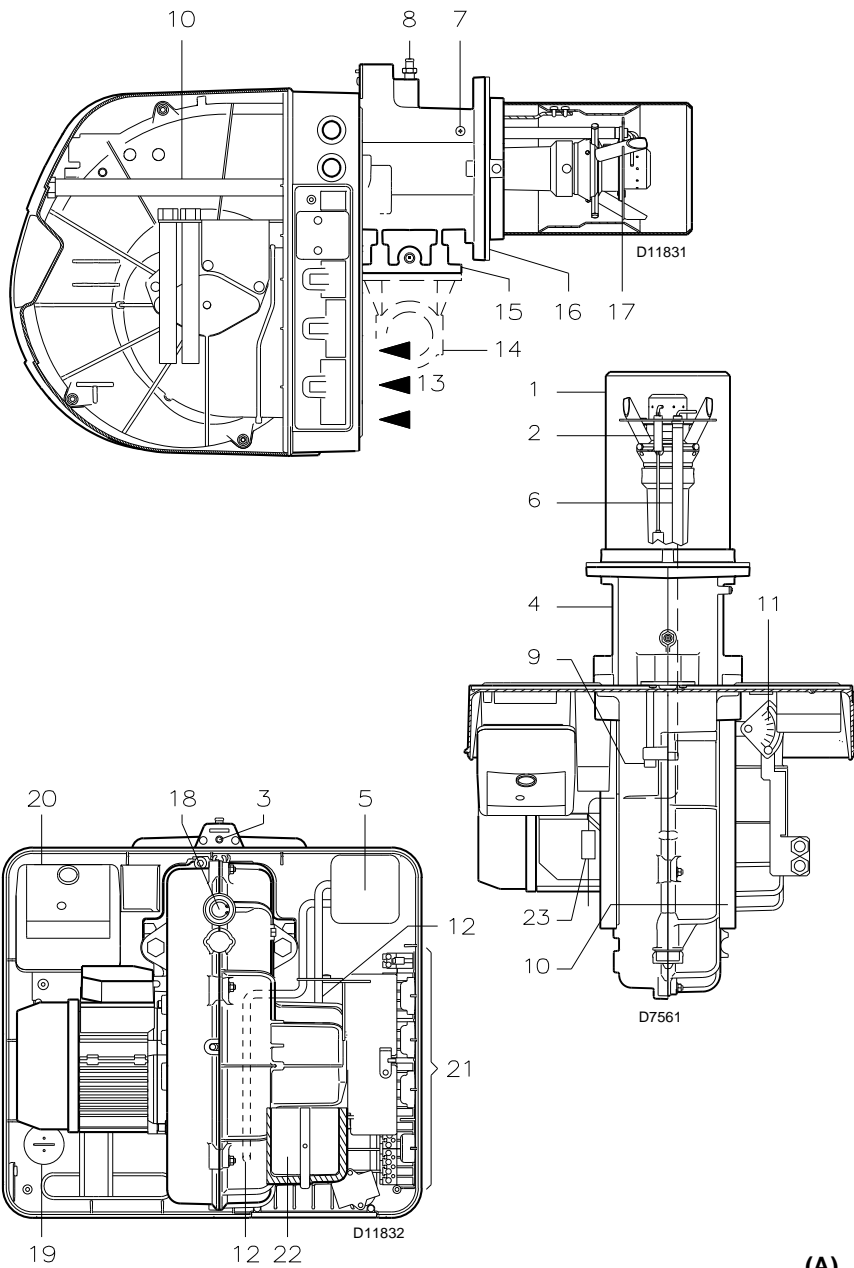
• KIT PARA FUNCIONAMENTO COM GPL: o kit permite que os queimadores RS 34-44/1 MZ funcionem com GPL.

QUEIMADOR	RS 34/1 MZ	RS 44/1 MZ
Potência kW	80 - 390 kW	120 - 530 kW
Comprimento do tubo de fogo mm	216 - 351	216 - 351
Código	3010423	3010424

• KIT PRESSOSTATO GÁS DE MÁXIMA	Cód. 3010418
• KIT CONTACTOS LIMPOS	Cód. 3010419
• KIT POST-VENTILAÇÃO	Cód. 3010452
• KIT INTERRUPTOR DIFERENCIAL	Cód. 3010448
• KIT VENTILAÇÃO CONTÍNUA	Cód. 3010449
• KIT CONTADOR DE HORAS	Cód. 3010450
• KIT INTERFACE ADAPTER RMG TO PC	Cód. 3002719

• LINHA DE COMANDO DE GÁS CONFORME A NORMA EN 676 (completa, com válvulas, regulador de pressão e filtro): ver na página 10.

Importante: O instalador é responsável pela eventual incorporação de dispositivos de segurança não previstos neste manual.



DESCRIÇÃO DO QUEIMADOR (A)

- 1 Cabeçal de combustão
- 2 Eléctrodo de acendimento
- 3 Parafuso de regulação do cabeçal de combustão
- 4 Manguito
- 5 Pressostato de ar (tipo diferencial)
- 6 Sonda para o controlo de presença chama
- 7 Tomada de pressão do ar
- 8 Tomada de pressão do gás e parafuso de fixação do cabeçal
- 9 Parafuso de fixação do ventilador à mangueira
- 10 Guias para abertura do queimador e inspecção do cabeçal de combustão
- 11 Sector graduado.
Abre o registo do ventilador com o valor necessário ao caudal do queimador.
- 12 Tomadas de pressão do pressostato
- 13 Entrada de ar do ventilador
- 14 Condução de entrada de gás
- 15 Flange de ligação à linha de gás
- 16 Flange para fixação à caldeira
- 17 Disco estabilizador da chama
- 18 Visor chama
- 19 Condensador motor (RS 34/1 MZ)
- 20 Caixa de controlo com piloto luminoso de bloqueio e botão de desbloqueio
- 21 Fichas para a ligação eléctrica
- 22 Comporta de ar
- 23 Ficha-tomada do cabo da sonda de ionização

Nota

Ao ficar aceso (**Led vermelho**) o botão da caixa de controlo 20(A) indica que o queimador está bloqueado.

Para desbloquear, premir o botão por um período de tempo compreendido entre 1 e 3 segundos.

EMBALAGEM - PESO (B) - medidas aproximadas

- Os queimadores são fornecidos em embalagem de cartão, cujas dimensões são especificadas na tabela (B).
- O peso do queimador completo com a embalagem é indicado na tabela (B).

DIMENSÕES MÁXIMAS (C) - medidas aproximadas

As dimensões máximas do queimador são indicadas em (C).

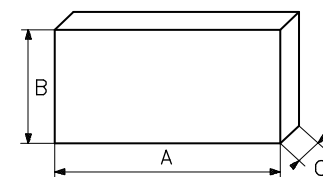
Ter em conta que para inspecionar o cabeçal de combustão, o queimador deve ser deslocado para trás.

O comprimento máximo do queimador aberto, sem envolvente, está indicado pela cota H.

FORMA DE FORNECIMENTO

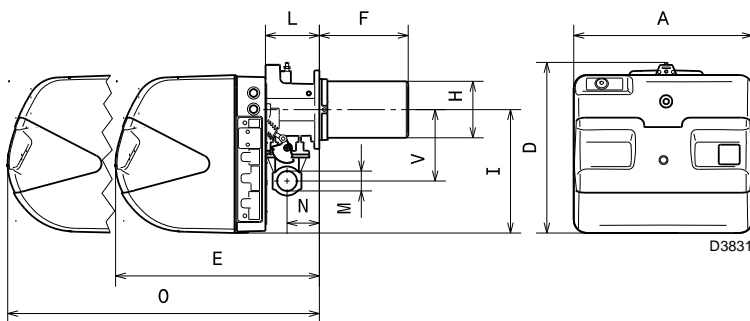
- 1 - Flange de ligação à linha de gás
- 1 - Junta da flange
- 4 - Parafusos M 8 x 25 de fixação da flange
- 1 - Junta isolante
- 4 - Parafusos para fixar a flange do queimador à caldeira M 8 x 25
- 3 - Fichas para conexões eléctricas
- 1 - Instruções
- 1 - Lista de peças de substituição

mm	A	B	C	kg
RS 34/1 MZ	1000	500	485	-
RS 44/1 MZ	1000	500	485	-



D88

(B)

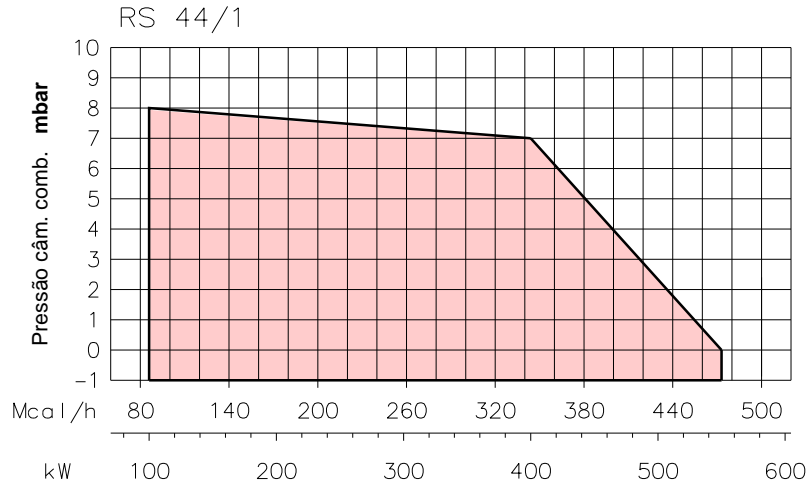
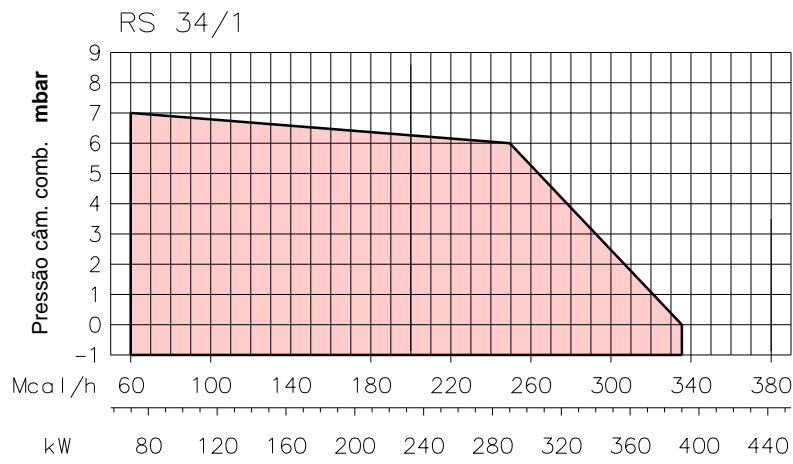


D3831

(C)

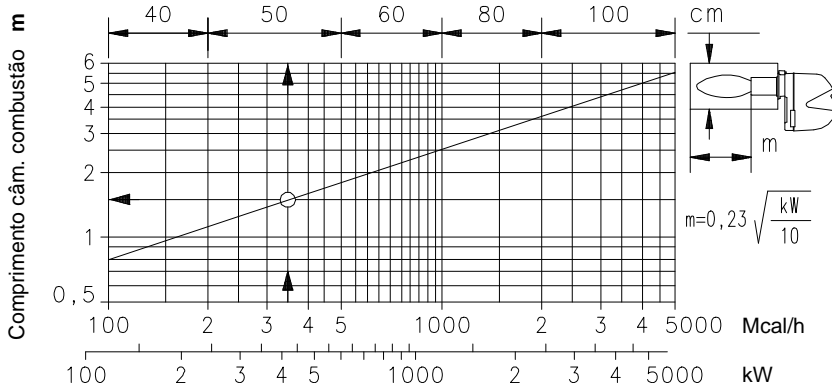
mm	A	D	E	F (1)	H	I	L	O	N	V	M
RS 34/1 MZ	442	422	508	216-351	140	305	138	780	84	177	1"1/2
RS 44/1 MZ	442	422	508	216-351	152	305	138	780	84	177	1"1/2

(1) Tubo de fogo: curto-longo



(A)

D8589



(B)

D497

CAMPOS DE TRABALHO (A)

A potência do queimador situa-se dentro da zona dos gráficos ao lado.

Atenção

O CAMPO DE TRABALHO foi calculado considerando uma temperatura ambiente de 20°C, uma pressão barométrica de 1013 mbar (aprox. 0 metros acima do nível do mar) e com o cabeçal de combustão regulado conforme se indica na página 9.

CALDEIRA DE ENSAIO (B)

Os gráficos foram obtidos com caldeiras de ensaio especiais, conforme a norma EN 676. Na figura (B) é indicado o diâmetro e o comprimento da câmara de combustão da caldeira de ensaio.

Exemplo: Potência 350 Mcal/h:
diâmetro 50 cm - comprimento 1,5 m.

CALDEIRAS COMERCIAIS

Não existe problema algum no acoplamento queimador-caldeira se esta tiver homologação CE e se as dimensões da câmara de combustão se aproximam das indicadas no gráfico (B). Se, pelo contrário, o queimador for instalado numa caldeira comercial não homologada CE ou com as dimensões da câmara de combustão muito mais pequenas que as indicadas no gráfico (B), deve-se consultar o fabricante.

RS 34/1 MZ Linha a 1 chama Δp (mbar)

kW	1	2					
		MBC-DLE-120 (Rp 3/4")	MB 407 S2 (Rp 3/4")	MB 410 S2 (Rp 1.1/4")	MB 412 S2 (Rp 1.1/4")	MB 415 S2 (Rp 1.1/2")	MB 420 S2 (Rp 2")
70	0,6	5,2	3,0	--	--	--	--
75	0,6	5,6	3,4	2,1	--	--	--
100	1,0	8,2	5,6	2,9	--	--	--
125	1,4	11,1	8,0	4,2	2,1	--	--
150	2,4	15,7	11,0	5,6	2,8	--	--
175	3,5	21,1	14,4	7,2	3,6	--	--
200	4,6	27,2	18,1	9,0	4,5	--	--
225	5,8	33,9	22,1	11,0	5,5	3,2	--
250	6,9	41,3	26,4	13,2	6,5	3,3	--
275	8,0	49,4	31,3	15,5	7,6	3,8	--
300	9,1	58,0	36,6	18,0	8,7	4,3	--
325	10,2	67,2	42,2	20,5	9,9	4,8	3,2
350	11,3	76,7	47,8	22,9	11,2	5,4	3,4
375	12,4	86,7	53,7	25,4	12,7	5,9	3,8
390	13,1		57,4	27,0	13,5	6,3	4,0

RS 44/1 MZ Linha a 1 chama Δp (mbar)

kW	1	2				
		MB 407 S5 (Rp 3/4")	MB 410 S5 (Rp 1.1/4")	MB 412 S2 (Rp 1.1/4")	MB 415 S2 (Rp 1.1/2")	MB 420 S2 (Rp 2")
100	0,2	5,6	2,9	2,1	3,2	3,2
150	1,6	11,0	5,6	2,8	3,2	3,2
200	3,0	18,1	9,0	4,5	3,2	3,2
250	4,9	26,4	13,2	6,5	3,3	3,2
300	6,9	36,6	18,0	8,7	4,3	3,2
350	8,9	47,8	22,9	11,2	5,4	3,4
400	10,8	59,9	28,1	14,0	6,5	4,1
450	12,8	73,2	33,6	16,8	7,7	4,9
500	14,7	87,6	39,5	19,8	9,0	5,7
550	16,7	103,0	45,8	23,1	10,2	6,6

RS 34/1 MZ Linha a 2 chamas Δp (mbar)

kW	1	2				
		MB-ZR 407 S2 (Rp 3/4")	MB-ZR 410 S2 (Rp 1")	MB-ZR 412 S2 (Rp 1.1/4")	MB-ZR 415 S2 (Rp 1.1/2")	MB-ZR 420 S2 (Rp 2")
70	0,6	3,0	2,1	2,1	--	--
75	0,6	3,4	2,1	2,1	--	--
100	1,0	5,6	2,9	2,1	--	--
125	1,4	8,0	4,2	2,1	--	--
150	2,4	11,0	5,6	2,8	--	--
175	3,5	14,4	7,2	3,6	--	--
200	4,6	18,1	9,0	4,5	--	--
225	5,8	22,1	11,0	5,5	3,2	--
250	6,9	26,4	13,2	6,5	3,3	--
275	8,0	31,3	15,5	7,6	3,8	--
300	9,1	36,6	18,0	8,7	4,3	--
325	10,2	42,2	20,5	9,9	4,8	3,2
350	11,3	47,8	22,9	11,2	5,4	3,4
375	12,4	53,7	25,4	12,7	5,9	3,8
390	13,1	57,4	27,0	13,5	6,3	4,0

PRESSÃO DO GÁS

As tabelas existentes na margem indicam as perdas de carga mínimas da linha de alimentação de gás em função da potência do queimador.

Coluna 1

Perda de carga cabeçal de combustão.
Pressão do gás na tomada 1)(B)p.7, com câmara de combustão a 0 mbar.

Coluna 2

Perda de carga rampa de gás 2)(B)p.7 compreende: válvula de regulação VR a 1 chama ou a 2 chamas, válvula de segurança VS (ambas com a máxima abertura), regulador de pressão R, filtro F.

Os valores indicados nas tabelas referem-se a:

gás natural G 20 PCI 9,45 kWh/Sm³

(8,2 Mcal/Sm³)

Com:

gás natural G 25 PCI 8,13 kWh/Sm³

(7,0 Mcal/Sm³)

multiplicar os valores da tabela:

- coluna 1: para 1,5;

- coluna 2: para 1,35.

Para conhecer a potência aproximada à que está a funcionar o queimador:

- Subtrair à pressão do gás no tubo de tomada 1)(B)p.7 a sobrepressão da câmara de combustão.
- Procurar na tabela relativa ao queimador considerado, coluna 1, o valor da pressão mais próxima ao resultado obtido na subtração.
- Ler à esquerda a potência correspondente.

Exemplo - RS 34/1 MZ:

- Funcionamento à MÁX potência
- Gás natural G 20 PCI 9,45 kWh/Sm³
- Pressão do gás na tomada 1)(B)p.7 = 8,9 mbar
- Pressão na câmara de combustão = 2 mbar

$$8,9 - 2 = 6,9 \text{ mbar}$$

À pressão de 6,9 mbar, coluna 1, corresponde na tabela do RS 34/1 uma potência de 250 kW.

Este valor serve como primeira aproximação; o real determinar-se-á através do contador.

Pelo contrário, para conhecer a pressão do gás necessária no tubo de tomada 1)(B)p.7, uma vez fixada a potência à qual se deseja que o queimador funcione:

- Procurar a potência mais próxima ao valor desejado, na tabela relativa ao queimador que se considere.
- Ler à direita, coluna 1, a pressão na tomada 1)(B)p.7.
- Somar a este valor a sobrepressão estimada na câmara de combustão.

Exemplo - RS 34/1 MZ:

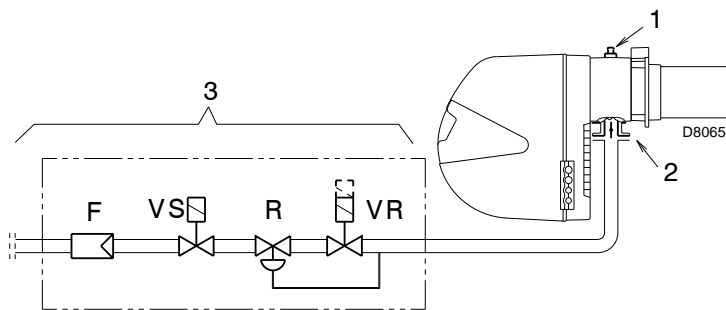
- Potência MÁX desejada: 250 kW
 - Gás natural G 20 PCI 9,45 kWh/Sm³
 - Pressão do gás à potência de 250 kW, na tabela do RS 34/1 MZ, coluna 1A = 6,9 mbar
 - Pressão na câmara de combustão = 2 mbar
- $$6,9 + 2 = 8,9 \text{ mbar}$$
- pressão necessária na tomada 1)(B)p.7.

(A)

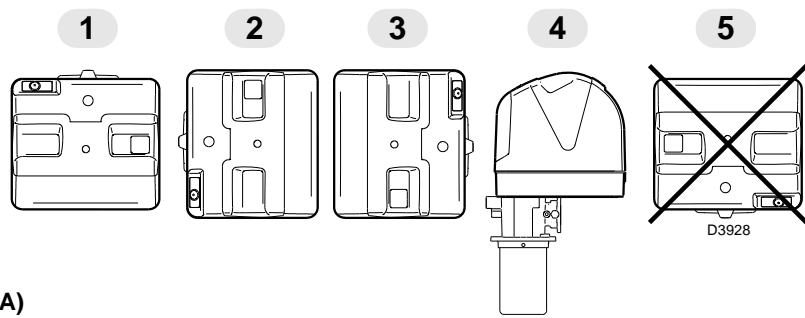
RS 44/1 MZ Linha a 2 chamas Δp (mbar)

kW	1	2			
		MB-ZR 410 S2 (Rp 1")	MB-ZR 412 S2 (Rp 1.1/4")	MB-ZR 415 S2 (Rp 1.1/2")	MB-ZR 420 S2 (Rp 2")
100	0,2	2,9	2,1	--	--
150	1,6	5,6	2,8	--	--
200	3,0	9,0	4,5	3,2	--
250	4,9	13,2	6,5	3,3	--
300	6,9	18,0	8,7	4,3	3,2
350	8,9	22,9	11,2	5,4	3,4
400	10,8	28,1	14,0	6,5	4,1
450	12,8	33,6	16,8	7,7	4,9
500	14,7	39,5	19,8	9,0	5,7
550	16,7	45,8	23,1	10,2	6,6

(A)

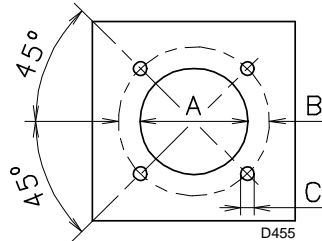


(B)

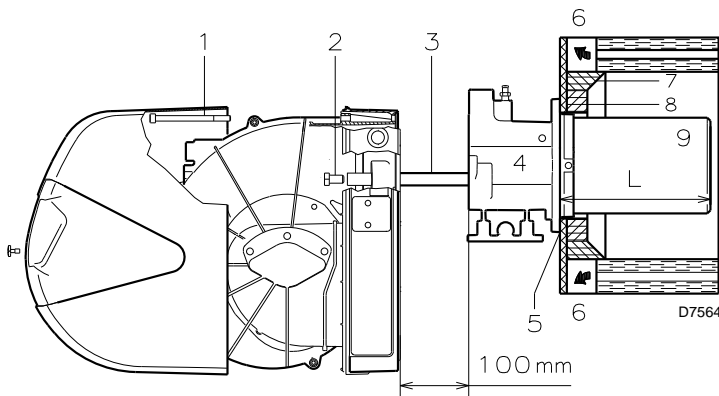


(A)

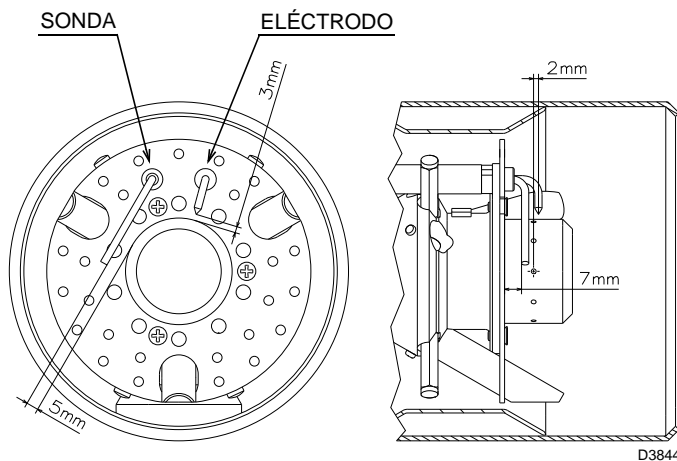
mm	A	B	C
RS 34/1 MZ	160	224	M 8
RS 44/1 MZ	160	224	M 8



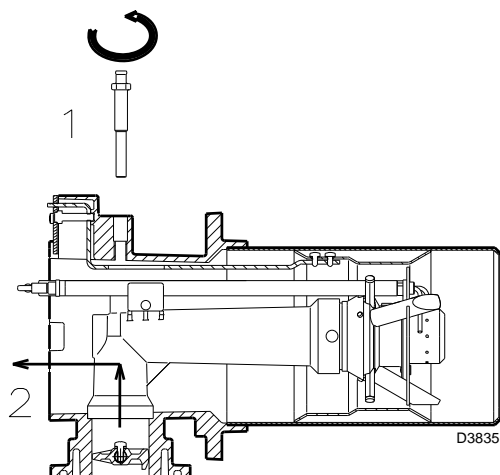
(B)



(C)



(D)



(E)

INSTALAÇÃO

⚠ A INSTALAÇÃO DO QUEIMADOR DEVE SER REALIZADA EM CONFORMIDADE COM AS LEIS E NORMAS LOCAIS.

POSIÇÃO DE FUNCIONAMENTO (A)

⚠ O queimador está pre-configurado exclusivamente para o funcionamento nas posições 1, 2, 3 e 4.

A instalação 1 é preferível pois é a única que permite a manutenção como descrita a seguir neste manual. As instalações 2, 3 e 4 consentem o funcionamento mas tornam menos acessíveis as operações de manutenção e inspeção do cabeçal de combustão pág. 15.

⊖ Qualquer outro posicionamento pode comprometer o bom funcionamento do aparelho.

A instalação 5 é proibida por motivos de segurança.

PLACA DA CALDEIRA (B)

Furar a placa de fecho da câmara de combustão, tal como está indicado em (B). Pode marcar-se a posição dos orifícios roscados utilizando a junta isolante que é fornecida com o queimador.

COMPRIMENTO DO TUBO DE FOGO (C)

O comprimento do tubo de fogo deve ser seleccionado de acordo com as indicações do fabricante da caldeira e, em qualquer caso, deve ser maior que a espessura da porta da caldeira completa, com o material refractário incluído. Os comprimentos, L (mm), disponíveis são:

Tubo de fogo 9)	RS 34/1 MZ	RS 44/1 MZ
• curto	216	216
• longo	351	351

Para caldeiras com passagens de fumos dianteiras 6) ou com câmara de inversão de chama, colocar uma protecção em material refractário 8) entre o refractário da caldeira 7) e o tubo de fogo 9).

Esta protecção deve permitir o deslocamento do tubo de fogo.

Nas caldeiras com frontal refrigerado por água, não é necessário o revestimento refractário 7)-8)(C), salvo se este for indicado pelo fabricante da caldeira.

FIXAÇÃO DO QUEIMADOR À CALDEIRA (C)

Antes de fixar o queimador à caldeira, verificar (através da abertura do tubo de fogo) se a sonda e o eléctrodo de acendimento estão correctamente posicionados como indica a figura (D).

Seguidamente separar o cabeçal de combustão do resto do queimador, fig. (C):

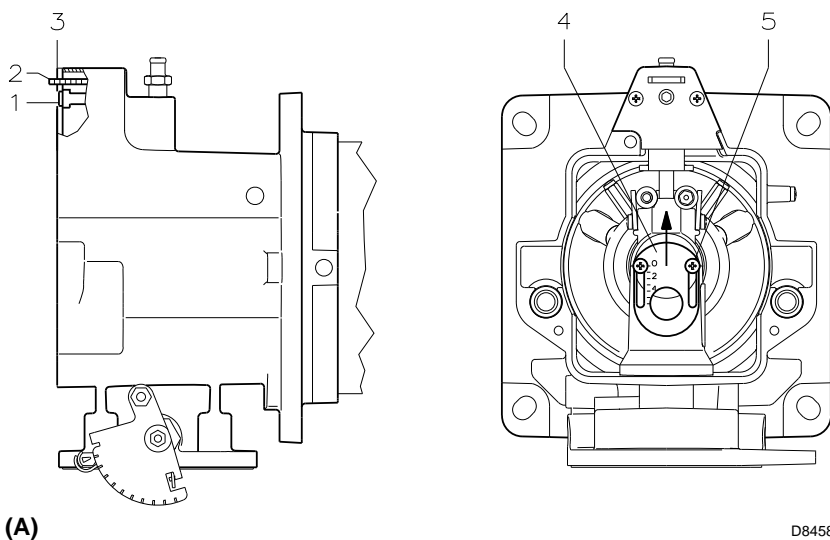
- desenroscar os parafusos 2) das duas guias 3);
- desenroscar o parafuso 1) e deslocar o queimador pelas guias 3) cerca de 100 mm;
- desligar os cabos da sonda e do eléctrodo e seguidamente retirar por completo o queimador das guias.

Fixar a flange 4(C) à placa da caldeira, intercalando a junta isolante 5)(C) fornecida. Utilizar os 4 parafusos fornecidos, depois de ter protegido a rosca com um produto antibloqueio. O acoplamento do queimador à caldeira deve ser hermético.

Se na verificação anterior, a posição da sonda ou do eléctrodo não era correcta, desenroscar o parafuso 1)(E), retirar a parte interior 2)(E) do cabeçal e proceder à sua calibragem. Não rodar a sonda, mas sim, deixá-la conforme o indicado em (D), já que se esta se aproximar demasiado do eléctrodo de acendimento poderá danificar o amplificador da caixa de controlo.

⚠ ATENÇÃO

Proceder à montagem da parte interna 2)(E) do cabeçal de combustão aparafusando o parafuso 1)(E) com um binário de aperto de $4 \div 6 \text{ Nm}$.



(A) D8458

REGULAÇÃO DO CABEÇAL DE COMBUSTÃO

Neste ponto da instalação, o tubo de fogo e o suporte queimador fixam-se à caldeira como é indicado na fig. (A). A regulação do cabeçal de combustão pode ser realizada portanto de modo particularmente fácil.

Regulação do ar (A - B)

Rodar o parafuso 1)(A) até que a marca na folha laminada 2)(A) coincida com o plano da placa 3)(A).

Exemplo:

Queimador RS 44/1 MZ, potência = 300 kW. Pelo diagrama (B) resulta que, com uma potência MAX de 300 kW, a regulação do ar tem que ser efectuada na marca 4, subtraída do valor de pressão na câmara. Neste caso, a perda de pressão do cabeçal de combustão é indicada na coluna 1 da pag. 6 - 7.

Nota

Se a pressão na câmara estiver corresponder a 0 mbar, a regulação do ar tem que ser efectuada com referência à linha tracejada do diagrama (B).

Regulação de ar central (Fig. A - C)

Caso a específica aplicação requeira uma regulação especial, é possível modificar o caudal de ar central por meio do aro 4)(A) até a marca indicada no diagrama (C).

Para efectuar essa operação aliviar os parafusos 5)(A) e levantar para cima o aro 4)(A). Depois, bloquear novamente os parafusos 5)(A).

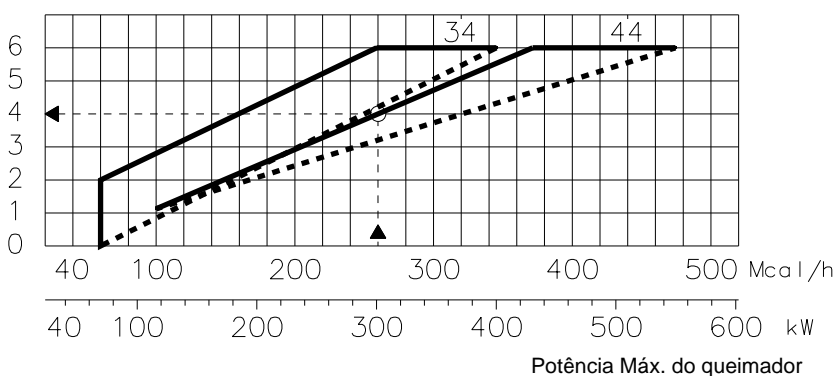
Finalizada a regulação do cabeçal, voltar a montar o queimador 4)(D) nas guias 3)(D) a cerca de 100 mm da mangueira 5)(D) - queimador na posição indicada na fig. (C)p.8 - ligar os cabos da sonda e do eléctrodo e seguidamente deslocar o queimador até a mangueira, queimador na posição indicada na fig. (D).

Voltar a colocar os parafusos 2) nas guias 3). Fixar o queimador à mangueira através do parafuso 1).

Atenção

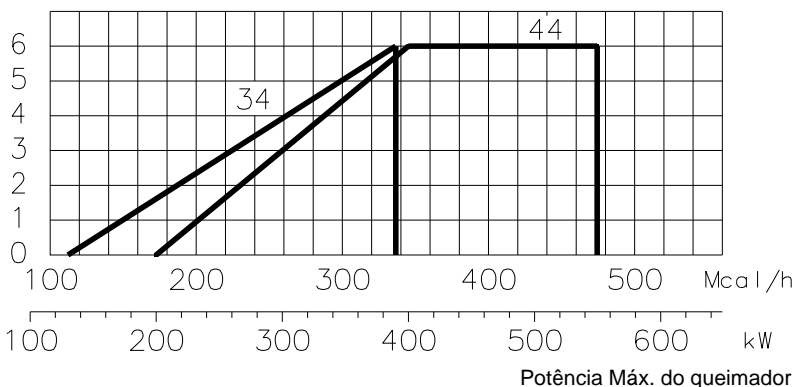
No momento de fechar o queimador nas guias, é conveniente puxar suavemente para fora o cabo de alta tensão e da sonda de ionização até que estejam ligeiramente esticados.

↓ N° Marcas (ar = gás)

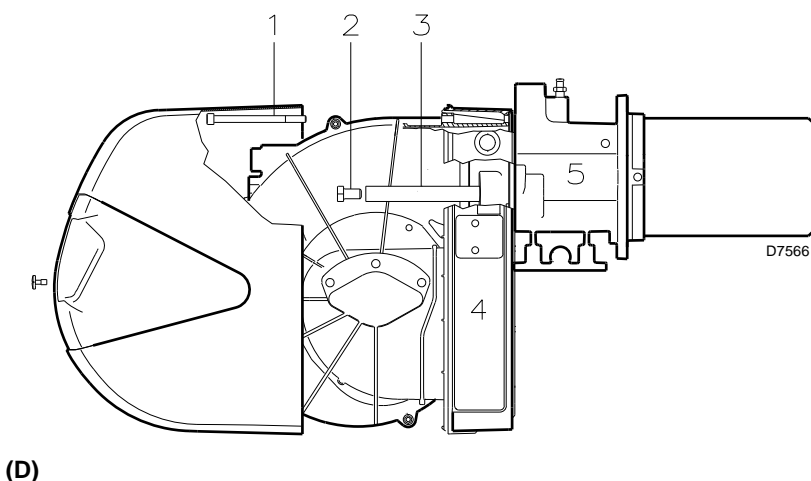


(B) D7565

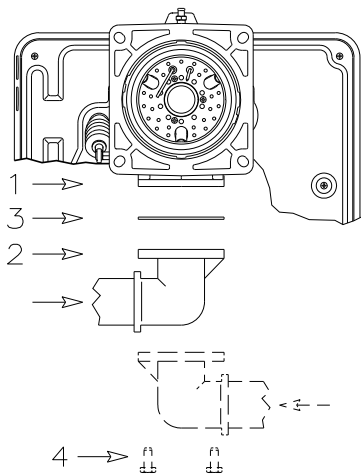
↓ N° Marcas (ar = gás)



(C) D8577

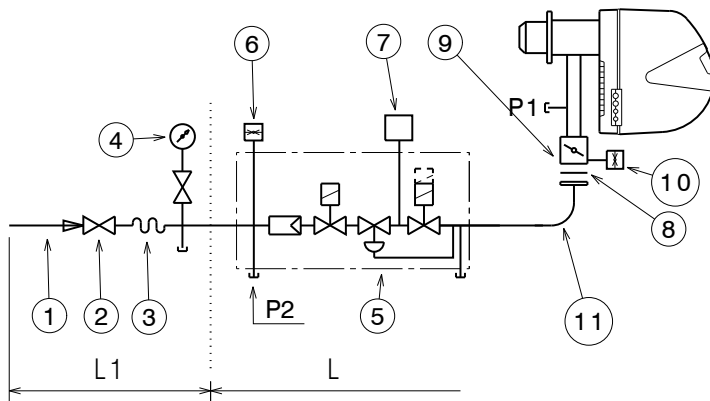


(D)



(A)

D3839



(B)

D8066

QUEIMADORES E RELATIVAS LINHAS DE GÁS HOMOLOGADOS CONFORME NORMA EN 676

LINHAS DE GÁS L (a 1 chama)				QUEIMADOR		7	9
Código	Modelo	Ø	C.T.	RS 34/1	RS 44/1	Código	Código
3970602	MBC 120	3/4"	♣	•	-	-	3000824
3970553 3970229*	MB-DLE 407 S20	3/4"	-	•	-	3010123	3000824
3970599	MB-DLE 407 S52	3/4"	-	-	•	3010123	3000824
3970554 3970230*	MB-DLE 410 S20	1"	-	•	•	3010123	3000824
3970258	MB-DLE 410 S52	1"1/4	-	-	•	3010123	3000824
3970144 3970231*	MB-DLE 412 S20	1"1/4	-	•	•	3010123	-
3970180 3970232*	MB-DLE 415 S20	1"1/2	-	•	•	3010123	-
3970181 3970233* 3970182 3970234*	MB-DLE 420 S20	2"	♦	•	•	3010123 3010123 -	3000822

LINHAS DE GÁS L (Linha a 2 chamas)				QUEIMADOR		7	9
Código	Modelo	Ø	C.T.	RS 34/1	RS 44/1	Código	Código
3970046	MB-ZRDLE 407 S20	3/4"	-	•	-	3010123	3000824
3970079	MB-ZRDLE 410 S20	1"	-	•	•	3010123	3000824
3970152	MB-ZRDLE 412 S20	1"1/4	-	•	•	3010123	-
3970183	MB-ZRDLE 415 S20	1"1/2	-	•	•	3010123	-
3970184 3970185	MB-ZRDLE 420 S20	2"	♦	•	•	3010123 -	- 3000822

* Linhas de gás completas de ficha de 6 pólos para conexão ao queimador.

(C)

LINHA DE ALIMENTAÇÃO DE GÁS

- A linha de gás está unida à ligação do gás 1)(A), através da flange 2), a junta 3) e os parafusos 4), fornecidos com o queimador.
- A linha pode chegar pela direita ou pela esquerda, conforme convenha, ver fig. (A).
- As electroválvulas do gás devem estar o mais perto possível do queimador, para assegurar a chegada do gás ao cabeçal de combustão no tempo de segurança de 3 segundos.

LINHA DE GÁS (B)

Está homologada, junto com o queimador, conforme a norma EN 676 e é fornecida em separado, com o número de referência que é indicado nas tabelas (C). É possível utilizar a linha de gás da tabela (C) a 1 chama até uma potência de 550 kW, limitando o caudal de acendimento conforme a norma, com auxílio somente do travão, como especificado na pág. 12.

LEGENDA (B)

- 1 - Conduta de chegada do gás
- 2 - Válvula manual
- 3 - Junta antivibração
- 4 - Manómetro com válvula de botão
- 5 - Multibloc que inclui:
 - filtro (substituível)
 - válvula de funcionamento a 1 chama ou a 2 chamas
 - regulação de pressão
- 6 - Pressostato gás de mínima
- 7 - Dispositivo de controlo estanquidade válvulas. Conforme a norma EN 676, o controlo de estanquidade é obrigatório para queimadores com potência máxima superior a 1200 kW.
- 8 - Junta
- 9 - Adaptador linha de gás-queimador

P1 - Pressão no cabeçal de combustão

P2 - Pressão montante válvulas/regulador

L - Linha de gás fornecida em separado, com o N° de Ref. que é indicado nas tabelas (C)

L1 - A cargo do instalador

LEGENDA TABELAS (C)

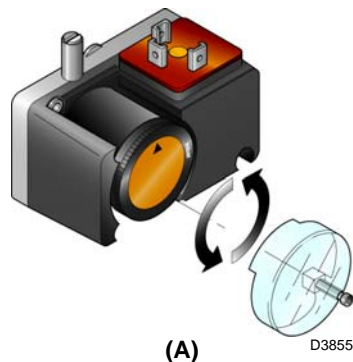
C.T.= Dispositivo controlo estanquidade válvulas de gás:

- = Linha de gás sem dispositivo para o controlo de estanquidade dispositivo que pode ser encomendado à parte, ver coluna 7, e montado sucessivamente.
- ♦ = Linha de gás com o dispositivo para o controlo de estanquidade montado.
- ♣ = Con questa rampa non è possibile attivare il controllo tenuta integrato.
- 7 = Dispositivo de controlo de estanquidade válvula VPS. É fornecido à parte da linha de gás, por encomenda.
- 9 = Adaptador linha de gás-queimador. É fornecido à parte da linha de gás, por encomenda.

Nota

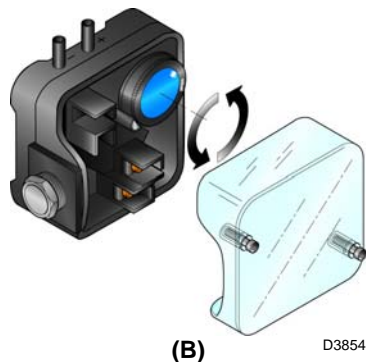
Para a regulação da linha de gás, ver as instruções que acompanham a mesma.

PRESSOSTATO GÁS DE MÍN.

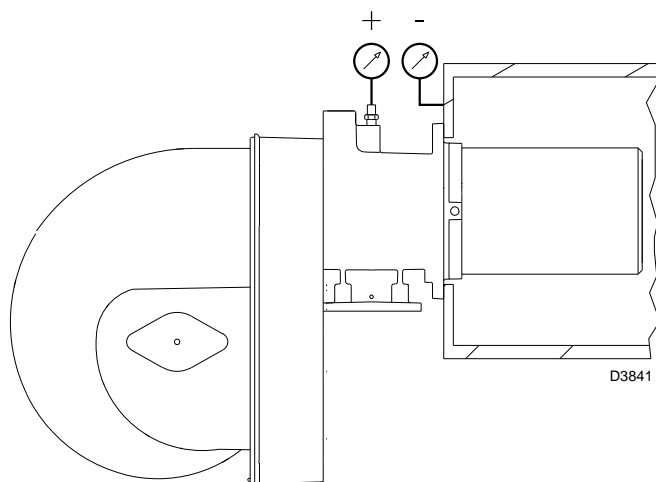


(A)

PRESSOSTATO AR



(B)



(C)

REGULAÇÃO PREVIA AO ACENDIMENTO

⚠ ATENÇÃO

O PRIMEIRO ACENDIMENTO DEVE SER EXECUTADO POR PESSOAL QUALIFICADO E DOTADO DE INSTRUMENTAÇÃO ADEQUADA.

A regulação do cabeçal de combustão, ar e gás, já foi descrita na pág. 9.

Efectuar, ainda, as seguintes regulações:

- Abrir as válvulas manuais localizadas antes da linha de gás.
- Regular o pressostato gás de mínima ao início da escala (A).
- Regular o pressostato ar ao início da escala (B).
- Purgar o ar da tubagem de gás.
É aconselhável evacuar o ar purgado ao exterior do edifício (através de um tubo de plástico) até notar o odor característico do gás.
- Instalar um manómetro (C) na tomada de pressão do suporte queimador.
Serve para calcular, aproximadamente, a potência do queimador em 2ª chama através das tabelas da pág. 6 - 7.
- Ligar em paralelo às duas electroválvulas de gás VR e VS, duas lâmpadas ou um tester para controlar o momento da chegada de corrente.
Esta operação não é necessária se cada uma das electroválvulas estiver equipada com uma luz piloto que assinala a presença de corrente eléctrica.
- Registo ventilador: deixar a regulação feita na fábrica.

Antes de colocar em funcionamento o queimador, é conveniente regular a linha de gás de forma que o acendimento se faça em condições de máxima segurança, isto é, com um pequeno caudal de gás.

ARRANQUE DO QUEIMADOR

Fechar os termóstatos.

Assim que o queimador entre em funcionamento, controlar o sentido de giro da turbina do ventilador através do visor de chama 18)(A)p.4. Verificar que as lâmpadas ou o tester ligados às electroválvulas, ou as luzes piloto das próprias electroválvulas, indicam ausência de corrente. Se assinalam que existe corrente, parar **imediatamente** o queimador e verificar as ligações eléctricas

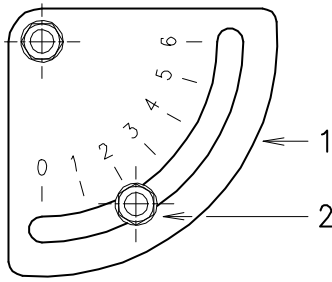
ACENDIMENTO DO QUEIMADOR

Depois de ter efectuado as operações descritas no parágrafo anterior, o queimador deve acender-se. Se o motor arranca mas não aparece chama e a caixa de controlo se bloqueia, rearmar esta e fazer uma nova tentativa de arranque.

Se o acendimento continua sem efeito, pode ser devido a que o gás não chega ao cabeçal de combustão no tempo de segurança de 3 segundos. Em tal caso, aumentar o caudal de gás no acendimento.

A chegada de gás à mangueira pode observar-se no manómetro (C).

Uma vez efectuado o acendimento, proceder-se-á à regulação completa do queimador.



(A)

D593

REGULAÇÃO DO QUEIMADOR

Para conseguir uma óptima regulação do queimador, é necessário fazer uma análise dos gases de combustão na base da chaminé.

Terá que se regular consecutivamente:

- 1 - Potência máxima
- 2 - Pressostato ar
- 3 - Pressostato gás de mínima

DETERMINAÇÃO DA POTÊNCIA DE ACENDIMENTO (MÍNIMA)

Conforme a norma EN 676.

Queimadores com potência MÁX até 120 kW

O acendimento pode ser feito à máxima potência de funcionamento. Exemplo:

- potência máxima de funcionamento: 120 kW
- potência máxima de acendimento : 120 kW

Queimadores com potência MÁX superior a 120 kW

O acendimento deve ser feito a uma potência reduzida em relação à potência máxima de funcionamento.

Se a potência de acendimento não ultrapassa os 120 kW, não é necessário fazer cálculo algum. Pelo contrário, se a potência supera os 120 kW, a norma estabelece que o seu valor seja definido em função do tempo de segurança "ts" da caixa de controlo:

para "ts" = 3s, a potência de acendimento deve ser igual ou inferior a 1/3 da potência máxima de funcionamento.

Exemplo

Potência MÁX de funcionamento 450 kW.

A potência de acendimento deve ser igual ou inferior a 150 kW com ts = 3s

Para medir a potência de acendimento:

- desconectar a ficha-tomada 23)(A)p.4 do cabo da sonda de ionização (o queimador acende-se e bloqueia-se passado o tempo de segurança).
- Efectuar 10 acendimentos com bloqueios consecutivos.
- Ler no contador o gás consumido. Esta quantidade deve ser igual ou inferior à que nos dá a fórmula, para ts = 3s:

$$Vg = \frac{Qa \text{ (caudal max. queimador) } \times n \times ts}{3600}$$

Vg: volume fornecido nos acendimentos executados (Sm³)

Qa: caudal de acendimento (Sm³/h)

n: número de acendimentos (10)

ts: tempo de segurança (seg)

Exemplo para gás G 20 (9,45 kWh/Sm³):

potência de acendimento 150 kW

correspondentes a 15,87 Sm³/h.

Depois de 10 acendimentos com bloqueio, o caudal de gás medido no contador deve ser igual ou inferior a:

$$Vg = \frac{15,87 \times 10 \times 3}{3600} = 0,132 \text{ Sm}^3$$

1 - POTÊNCIA MÁXIMA

A potência máxima é escolhida dentro do campo de trabalho indicado na pág. 5.

Regulação do gás

Medir o caudal de gás no contador.

A título de orientação, pode determinar-se através das tabelas da pág. 6 - 7, observando a pressão do gás no manómetro - ver Fig. (C) p.11 - e seguindo as indicações da pág. 6.

- Se for necessário reduzi-lo, diminuir a pressão do gás à saída e, se já está no mínimo, fechar um pouco a electroválvula de regulação VR2.
- Se for necessário aumentá-la, aumentar a pressão de gás à saída do regulador.

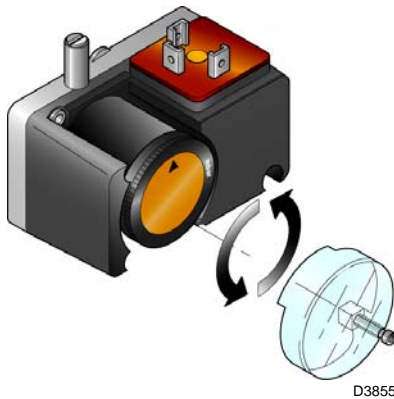
Regulação do ar

Regular o registo do ventilador, agindo no sector graduado 1) (A), depois de ter desapertado o parafuso 2)(A).

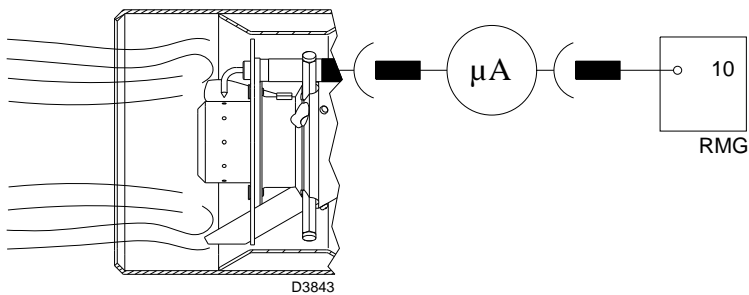


(A)

PRESSOSTATO GÁS DE MÍNIMA



(B)



(C)

Nota

Uma vez terminada a regulação da potência máxima, controlar de novo o acendimento: deve produzir-se um ruído parecido ao do funcionamento sucessivo. No caso de pulsações, reduzir o caudal de acendimento.

2 - PRESSOSTATO DE AR (A)

Efectuar a regulação do pressostato de ar, depois de ter feito todas as restantes regulações do queimador, com o pressostato de ar ajustado ao início da escala (A).

Com o queimador em função inserir um analisador da combustão no chaminé, fechar lentamente o canal de aspiração do ventilador (por exemplo com um pedaço de papelão) até que o valor de CO não ultrapasse os 100 ppm.

Portanto, girar lentamente o especial botão em sentido horário até bloquear o queimador.

Verificar então a indicação da flecha virada para cima na escala graduada (A). Girar novamente o botão em sentido horário até que o valor indicado na escala graduada coincida com a flecha virada para baixo (A), recuperando deste modo a histerese do pressostato representada pelo campo branco em um fundo azul-escuro incluído entre as duas flechas.

Verificar agora o correcto arranque do queimador.

Se o queimador se bloqueia de novo, rodar o botão um pouco mais, no sentido contrário ao dos ponteiros do relógio.

3 - PRESSOSTATO GÁS DE MÍNIMA (B)

Com o queimador funcionando, aumentar a pressão de regulação rodando lentamente (no sentido horário) o botão fornecido para tal efeito, até que o queimador pare.

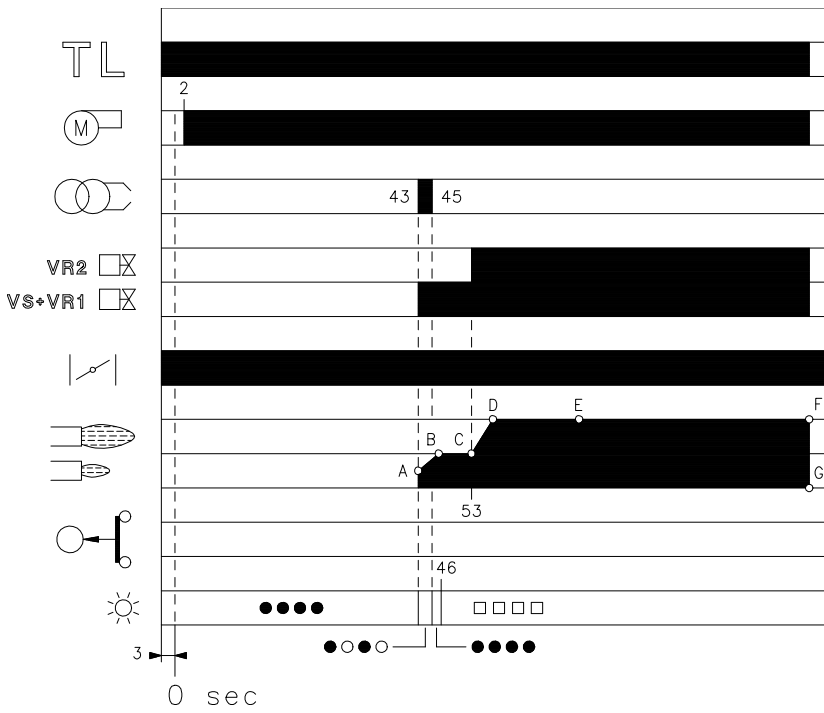
Seguidamente, rodar o referido botão (no sentido contrário ao dos ponteiros do relógio) 5 mbar e repetir o arranque do queimador para verificar a regularidade de funcionamento.

Se o queimador parar de novo, rodar o botão (no sentido contrário ao dos ponteiros do relógio) 1 mbar.

CONTROLO DE PRESENÇA DE CHAMA (C)

O queimador está dotado de um sistema de ionização para controlar a presença da chama. A corrente mínima para fazer funcionar a caixa de controlo é de 5 μ A. O queimador fornece uma corrente muito superior, de modo de não requerer normalmente nenhum tipo de controlo. No entanto, se desejar medir a corrente de ionização, é necessário desligar a ficha-tomada 23)(A)p.4 do cabo da sonda de ionização e ligar um microamperímetro de corrente contínua de escala baixa de 100 μ A. Atenção à polaridade.

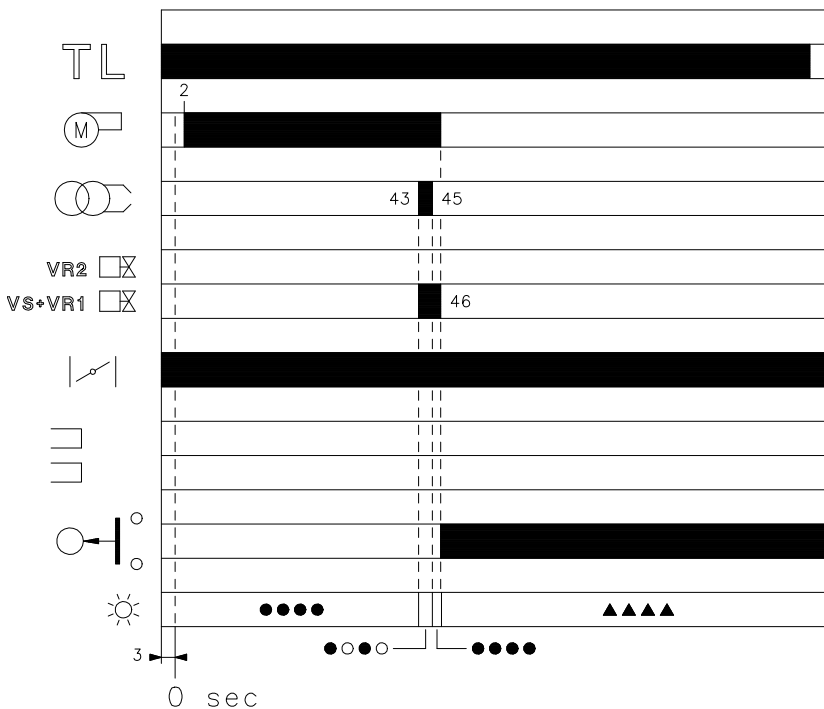
ACENDIMENTO NORMAL
(n° = segundos a partir do instante 0)



* ○ Apagado ● Amarelo □ Verde ▲ Vermelho
Para ulteriores informações ver pág. 16.

(A) D3024

FALTA DE ACENDIMENTO



* ○ Apagado ● Amarelo ▲ Vermelho
Para ulteriores informações ver pág. 16.

(B) D3025

FUNCIONAMENTO DO QUEIMADOR

ARRANQUE DO QUEIMADOR (A)

- Fecha-se o TL.
Passados cerca de 3s:
- 0 s : Inicia o programa da caixa de controlo.
- 2 s : Entra em funcionamento o motor ventilador.
O registo do ar coloca-se na posição de potência máxima de regulação. Segue a fase de pré-ventilação.
- 43 s : Gera-se faísca no eléctrodo de acendimento.
- Abrem-se as electroválvulas de segurança VS e a 1° chama VR1 daelectroválvulas de regulação VR. O obturador da válvula VR1 tem um primeiro percurso rápido que determina o acendimento a um potência baixa, ponto A, ao qual se segue um percurso lento. A potência aumenta progressivamente até ao valor de 1° chama, intervalo A-B.
- 45 s : A faísca apaga-se.
- 53 s : Abre-se a 2° chama VR2 da válvula VR e a potência passa lentamente da 1° chama para o valor máximo de regulação, intervalo C-D.
- Finaliza o ciclo de arranque da caixa de controlo.

FUNCIONAMENTO A REGIME (A)

Finalizado o ciclo de arranque, a caixa de controlo continua a controlar a presença de chama e a correcta posição do pressostato de ar.

O queimador fica em funcionamento a potência constante.

Se a temperatura ou a pressão na caldeira continua a aumentar e abre o termóstato TL, o queimador bloqueia-se, intervalo F-G.

FALTA DE ACENDIMENTO (B)

Se o queimador não se acende, produz-se o bloqueio do mesmo ao fim de 3 segundos da abertura da válvula de gás e aos 49 segundos do fecho do termóstato TL.

Acende-se o led vermelho do equipamento.

EXTINÇÃO DA CHAMA DURANTE O FUNCIONAMENTO

Se a chama se apagar durante o funcionamento, o queimador bloqueia-se em 1 segundo.

CONTROLO FINAL (com o queimador em funcionamento):

- desconectar um fio do pressostato gás de mínima;
- abrir o termóstato/pressostato TL;
- abrir o termóstato/pressostato TS;


o queimador deve parar.


- Desligar o tubo de adução ar ao pressostato;
- desconectar o fio da sonda de ionização;


o queimador deve bloquear-se.

Comprovar que os bloqueios mecânicos dos dispositivos de regulação estão bem apertados.

MANUTENÇÃO

 O queimador requer uma manutenção periódica, que deve ser realizada por pessoal habilitado **e em conformidade com as leis e normas locais.**

 A manutenção periódica é essencial para o bom funcionamento do queimador; essa reduz os consumos inúteis de combustível e reduz as emissões de poluentes no ambiente.

 Antes de realizar qualquer operação de limpeza ou controlo, remover a alimentação eléctrica do queimador, actuando sobre o interruptor geral da instalação.

Combustão

Fazer a análise dos gases de combustão que saem da caldeira. As diferenças significativas em relação à última análise indicarão os pontos onde deverão centrar-se as operações de manutenção.

Fugas de gás

Comprovar que não existem fugas de gás na conduta contador-queimador.

Filtro de gás

Substituir o filtro do gás quando estiver sujo (ver instrução linha).

Cabeçal de combustão

Abrir o queimador e verificar que todas as partes do cabeçal de combustão estão intactas e não deformadas pelas altas temperaturas, não têm sujidade proveniente do ambiente e que estão correctamente posicionadas. Em caso de dúvidas, desmontar o cotovelo.

Queimador

Verificar que não há um desgaste anormal ou parafusos frouxos nos mecanismos que controlam a comporta do ar e a válvula de borboleta do gás. De igual modo, os parafusos que fixam os cabos eléctricos na régua de terminais e nas tomadas do queimador devem estar bem apertados.

Limpar exteriormente o queimador.

Combustão

Regular o queimador se os valores da combustão obtidos no início da intervenção não cumprem as normas em vigor ou não correspondem a uma boa combustão.

Anotar numa ficha de controlo os novos valores da combustão; serão úteis para controlos sucessivos.

DIAGNÓSTICO DO PROGRAMA DE ARRANQUE

Durante o programa de arranque, as indicações são explicadas na seguinte tabela:

TABELA CÓDIGO COR	
Sequências	Código cor
Pré-ventilação	● ● ● ● ● ● ● ● ● ●
Fase de acendimento	● ○ ● ○ ● ○ ● ○ ●
Funcionamento com chama ok	□ □ □ □ □ □ □ □ □ □
Funcionamento com sinal de chama fraca	□ ○ □ ○ □ ○ □ ○ □
Alimentação eléctrica inferior a ~ 170V	● ▲ ● ▲ ● ▲ ● ▲ ●
Bloqueio	▲ ▲ ▲ ▲ ▲ ▲ ▲ ▲ ▲
Luz estranha	▲ □ ▲ □ ▲ □ ▲ □ ▲
Legenda:	○ Apagado ● Amarelo □ Verde ▲ Vermelho

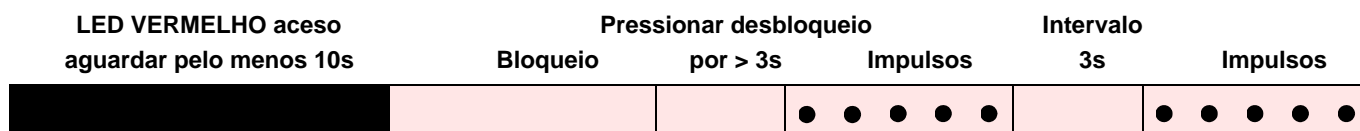
DESBLOQUEIO DO EQUIPAMENTO E UTILIZAÇÃO DO DIAGNÓSTICO

O equipamento fornecido de série possui uma sua função de diagnóstico, por meio da qual é possível localizar facilmente as eventuais causas de mau funcionamento (sinalização: **LED VERMELHO**).

Para utilizar tal função, é necessário aguardar pelo menos 10 segundos após a colocação da segurança (**bloqueio**) e, em seguida, pressionar o botão de desbloqueio.

O equipamento cria uma sequência de impulsos (à distância de 1 segundo) que se repete a intervalos constantes de 3 segundos.

Visualizado o número de sinais intermitentes e identificada a provável causa, é necessário reiniciar o sistema, mantendo o botão pressionado por um período de tempo compreendido entre 1 e 3 segundos.



A seguir, estão ilustrados os métodos possíveis para efectuar o desbloqueio do equipamento e para a utilização do diagnóstico.

DESBLOQUEIO DA CAIXA DE CONTROLO

Para efectuar o desbloqueio do equipamento, agir como segue:

- Premir o botão por um período de tempo compreendido entre 1 e 3 segundos.
O queimador arranca após uma pausa de 2 segundos depois de se ter largado o botão.
No caso em que o queimador não arranque é necessário verificar o fechamento do termóstato limite.

DIAGNÓSTICO VISUAL

Indica o tipo de defeito do queimador que determina o bloqueio do mesmo.

Para visualizar o diagnóstico, agir como segue:

- Com o led vermelho fixo (bloqueio do queimador), manter premido o botão por mais de 3 segundos.
O fim da operação será indicado pelo acender de um led amarelo intermitente.
Soltar o botão após o piscar do led. O número de sinais intermitentes evidencia a causa do mau funcionamento de acordo com a codificação indicada na tabela de pág. 17.

DIAGNÓSTICO SOFTWARE

Fornecer a análise da vida do queimador por meio da conexão óptica ao PC, indicado as relativas horas de funcionamento, número e tipos de bloqueios, número de série do equipamento etc...

Para visualizar o diagnóstico, agir como segue:

- Com o led vermelho fixo (bloqueio do queimador), manter premido o botão por mais de 3 segundos.
O fim da operação será indicado pelo acender de um led amarelo intermitente.
Soltar o botão por 1 segundo e em seguida, voltar a premi-lo por mais de 3 segundos até à visualização de um ulterior piscar amarelo.
Quando se solta o botão, o led vermelho irá piscar em modo intermitente com frequência elevada: só nessa altura será possível inserir a conexão óptica.

Uma vez executadas as operações, é necessário restabelecer o estado inicial do equipamento por meio do procedimento de desbloqueio acima descrito.

PRESSÃO NO BOTÃO	ESTADO DO EQUIPAMENTO
De 1 a 3 segundos	Desbloqueio da caixa de controlo sem visualização do diagnóstico visual.
Mais de 3 segundos	Diagnóstico visual da condição de bloqueio: (piscar do led com intermitência de 1 segundo).
Mais de 3 segundos a partir da condição de diagnóstico visual	Diagnóstico software com auxílio de interface óptica e PC (possibilidade de visualização das horas de funcionamento, das anomalias, etc..)

A sequência dos impulsos emitidos pelo equipamento identifica os possíveis tipos de avaria que são ilustrados na tabela de pág. 17.

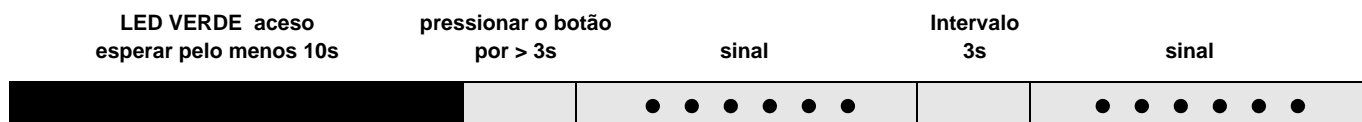
Sinal	Anomalia	Causa provável	Solução
2 sinais intermitentes ● ●	Superada a pré-ventilação e o tempo de segurança, o queimador bloqueia-se sem que apareça a chama.	1 - A electroválvula de funcionamento faz passar pouco gás. 2 - Uma das electroválvulas não se abre. 3 - Pressão de gás demasiado baixa 4 - Eléctrodo de acendimento mal regulado 5 - Eléctrodo à massa por rotura do isolamento 6 - Cabo de alta tensão defeituoso 7 - Cabo de alta tensão deformado pela alta temperatura 8 - Transformador de acendimento defeituoso 9 - Ligações eléctricas válvulas ou transformador incorrectos 10 - Caixa de controlo defeituosa 11 - Uma válvula antes da linha de gás, fechada 12 - Ar nas tubagens. 13 - Válvulas gás não ligadas ou bobina interrompida	Aumentá-lo Substituir Aumentá-la no regulador Regulá-lo, ver Fig. (D) pág. 8 Substituí-lo Substituí-lo Substituí-lo e protegê-lo Substituí-lo Comprová-los Substituí-la Abri-la Purgá-lo Verificar ligações ou substituir bobina
3 sinais intermitentes ● ● ●	O queimador não arranca e acontece o bloqueio O queimador arranca mas bloqueia-se de imediato	14 - O pressóstato de ar em posição de funcionamento - O pressóstato de ar não comuta por pressão de ar insuficiente: 15 - Pressóstato de ar mal regulado 16 - Tubo tomada pressão ar do pressóstato obstruído 17 - Cabeçal mal regulado 18 - Alta pressão na câmara de combustão	Regulá-lo ou substituí-lo Regulá-lo ou substituí-lo Limpá-lo Regulá-lo Ligar pressóstato de ar à aspiração do ventilador
	Bloqueio durante o pré-ventilação	19 - Contador do comando motor defeituoso (somente versão trifásica) 20 - Motor eléctrico defeituoso 21 - Bloqueio do motor (somente versão trifásica)	Substituí-lo Substituí-lo Substituí-lo
4 sinais intermitentes ● ● ● ●	O queimador arranca mas bloqueia-se de imediato	22 - Simulação de chama	Substituir a caixa de controlo
	Bloqueio ao parar o queimador	23 - Há chama no cabeçal de combustão ou simulação de chama	Eliminar a chama ou substituir a caixa de controlo
7 sinais intermitentes ● ● ● ● ● ● ●	O queimador bloqueia-se logo depois que aparece a chama	24 - A electroválvula de funcionamento faz passar pouco gás 25 - Sonda de ionização mau regulada 26 - Ionização insuficiente (inferior a 5 A) 27 - Sonda à massa 28 - Terra defeituosa 29 - Fase e neutro invertidos 30 - Avaria do circuito de observação da chama	Aumentá-lo Regulá-lo, ver Fig. (D) pág. 8 Verificar a posição da sonda Separá-la ou substituir o cabo Rever tomada de terra Inverter Substituir a caixa de controlo
	Em funcionamento, o queimador bloqueia-se	31 - Sonda ou cabo de ionização à massa	Substituir a(s) peça(s) deteriorada(s)
10 sinais intermitentes ● ● ● ● ● ● ● ● ● ●	O queimador não arranca e acontece o bloqueio	32 - Ligações eléctricas incorrectas	Comprová-los
	O queimador bloqueia-se	33 - Caixa de controlo defeituosa 34 - Presença de distúrbios electromagnéticos sobre as linhas dos termóstatos	Substituí-la Filtrá-los ou eliminá-los
Nenhum sinal intermitente	O queimador não arranca	35 - Falta corrente eléctrica 36 - Um termóstato de regulação ou de segurança aberto 37 - Fusível de linha de controlo fundido 38 - Caixa de controlo defeituosa 39 - Falta de gás 40 - Pressão de gás na rede insuficiente 41 - O pressóstato de gás de mínima não fecha	Fechar interruptores Controlar ligações eléctricas Regulá-lo ou substituí-lo Substituí-lo Substituí-la Abrir válvulas manuais entre o contador e a linha Contacte a COMPANHIA DO GÁS Regulá-lo ou substituí-lo
	O queimador continua a repetir o ciclo de arranque sem se bloquear	42 - A pressão do gás na rede está próxima do valor ao qual está regulado o pressóstato gás de mínima. A queda repentina de pressão que se tem quando se abre a válvula provoca a abertura do próprio pressóstato, razão pela qual a válvula se fecha imediatamente e o motor pára. A pressão volta a aumentar, o pressóstato fecha e faz com que o ciclo de arranque se repita. E assim sucessivamente.	Reduzir a pressão de intervenção do pressóstato de gás de mínima. Substituir a cartucho do filtro de gás.
	Acendimento com pulsações	43 - Cabeçal mal regulado 44 - Eléctrodo de acendimento mal regulado 45 - Registo ventilador mal regulado; demasiado ar 46 - Potência de acendimento demasiado elevada	Regular. Ver página 9. Regulá-lo, ver Fig. (D) pág. 8 Regulá-lo Reduzi-la

FUNCIONAMENTO NORMAL / TEMPO DE OBSERVAÇÃO DA CHAMA

A caixa de controlo possui uma ulterior função, através da qual é possível verificar o correcto funcionamento do queimador (sinalização: **LED VERDE** permanentemente aceso).

Para utilizar tal função é necessário esperar pelo menos dez segundos desde o acendimento do queimador e pressionar o botão da caixa de controlo por um tempo mínimo de três segundos.

Solto o botão, o LED VERDE começará a piscar, como ilustrado na figura abaixo.



As pulsações do LED constituem sinais com intervalos de cerca de 3 segundos.

SINAL	TEMPO DE OBSERVAÇÃO DA CHAMA
1 sinal intermitente ●	0.4 s
2 sinais intermitentes ● ●	0.8 s
6 sinais intermitentes ● ● ● ● ● ●	2.8 s

A cada arranque do queimador, este dado é actualizado. Realizada a leitura, pressionando brevemente o botão da caixa de controlo, o queimador repete o ciclo de arranque.

ATENÇÃO

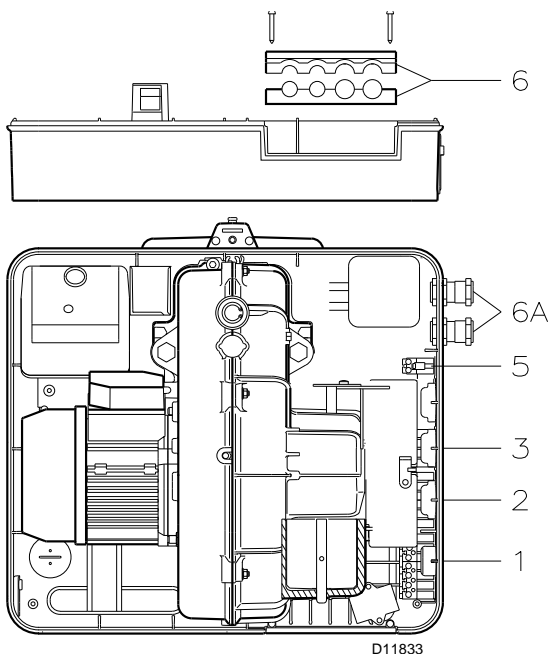
Se se obtém um tempo > 2 s tem-se o acendimento atrasado.

Verificar a regulação do travão hidráulico na válvula de gás e regular o registo de ar e o cabeçal de combustão.

KIT INTERFACE ADAPTER RMG TO PC Código 3002719

APÊNDICE

Ligações eléctricas



NOTA

As ligações eléctricas devem ser executadas conforme as normas em vigor do país de destino e por pessoal qualificado.

Riello S.p.A. declina toda responsabilidade de modificações ou conexões diferentes daquelas representadas nestes esquemas.

Usar cabos flexíveis conforme a norma EN 60 335-1:

Todos os cabos a ligar ao queimador devem ser feitos passar pelos passacabos.

Os passacabos podem ser utilizados de várias formas; como exemplo, indicamos a seguinte forma:

RS 34-44/1 MZ

- 1- Tomada de 7 pólos para alimentação monofásico, termóstato/pressostato TL
- 2- Tomada de 6 pólos para válvulas de gás, pressostato gás ou dispositivo para o controlo de estanquidade das válvulas
- 3- Tomada de 4 pólos para termóstato/pressostato TR
- 5- Tomada de 2 pólos para acessório
- 6 - 6A Atribuições para bocas (Perfurar em caso de necessidade das bocas 6A)

NOTA

Os queimadores RS 34-44/1 MZ têm sido homologados para funcionar a intermitência. Isto significa que devem parar "por Norma" pelo menos uma vez cada 24 horas para permitir que a caixa de controlo faça uma verificação da eficácia ao arranque. Normalmente, a paragem do queimador é garantida pelo termóstato/pressostato da caldeira. Se assim não for, deverá colocar em série com o interruptor IN, um interruptor horário que pare o queimador pelo menos uma vez cada 24 horas.



ATENÇÃO:

- Não inverter o neutro com a fase na linha de alimentação eléctrica. A eventual inversão poderia determinar uma paragem em bloqueio por falta de acendimento.
- Substituir os componentes unicamente com peças sobresselentes originais.

Electrical panel layout - Esquema cuadro eléctrico
Esquema quadro eléctrico

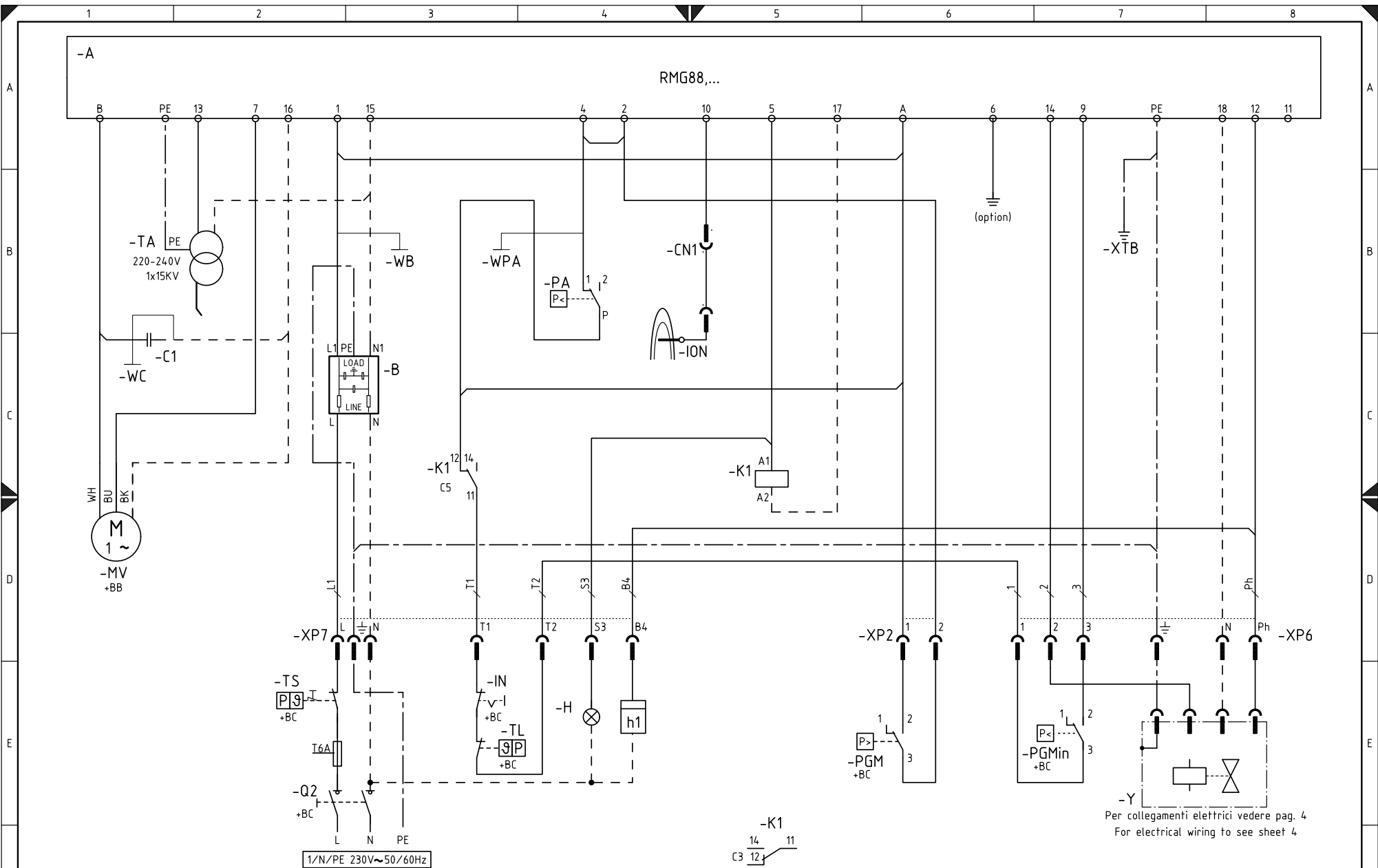
1		INDEX - ÍNDICE - ÍNDICE
2		Indication of references - Indicación referencias Indicação das referências
3	RS 34/1 MZ RS 44/1 MZ	Functional layout - Esquema funcional Esquema funcional
4	RS 34/1 MZ RS 44/1 MZ	Electrical wiring is the responsibility of the installation engineer - Conexiones eléctricas a cargo del instalador - Ligações eléctricas pelo instalador

2 Indication of references - Indicación referencias - Indicação das referências

/1.A1

Sheet no. - N. Folio - N. Folha

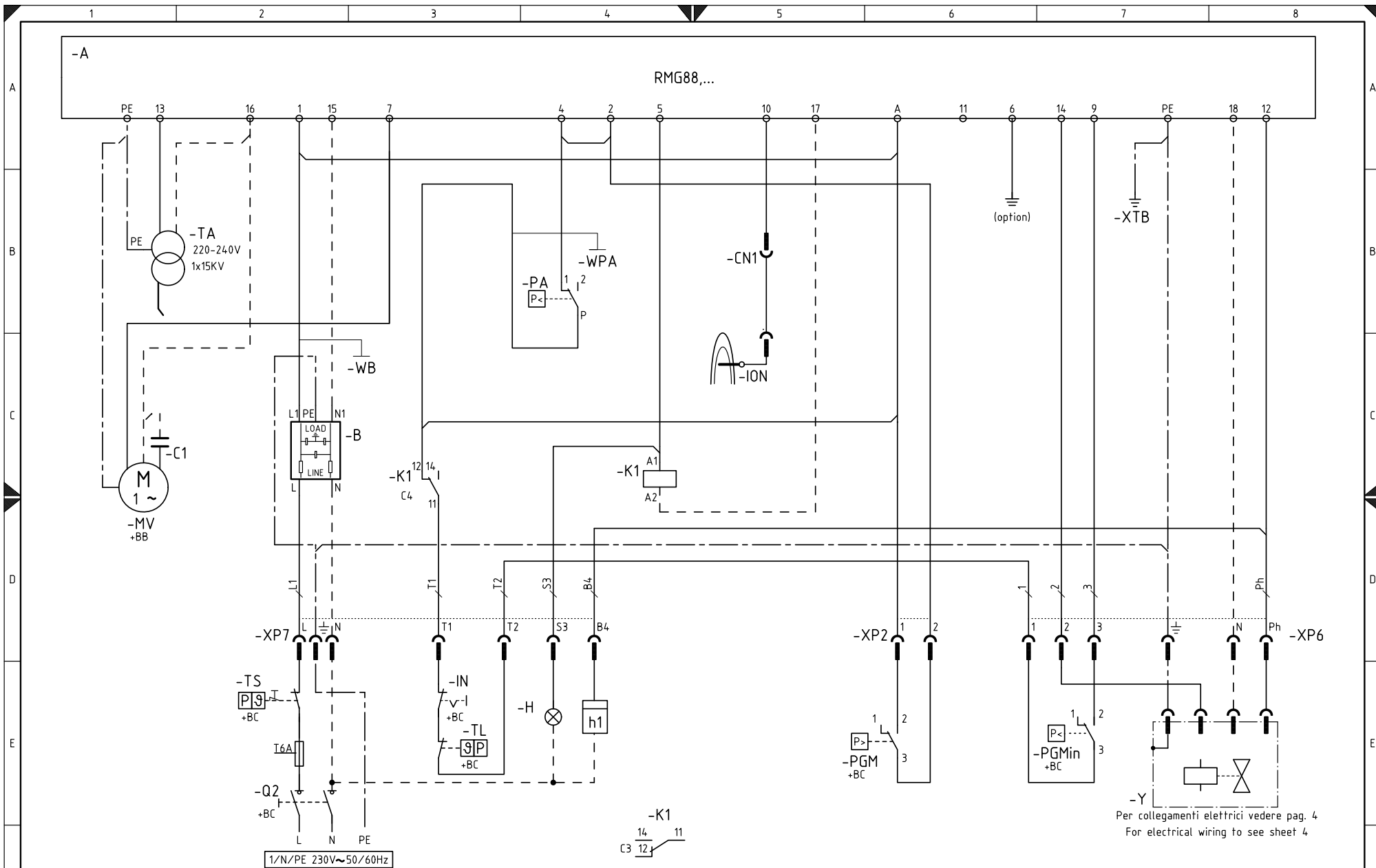
Co-ordinates - Coordenadas - Coordenadas



Per collegamenti elettrici vedere pag. 4
For electrical wiring to see sheet 4

RS 34/1 MZ

BU = BLU / BLUE / BLEU / BLAU	YE = GIALLO / YELLOW / JAUNE / GELB	WH = BIANCO / WHITE / BLANC / WEISS	GY= GRIGIO / GREY / GRIS / GRAU	TQ= TURCHESE / TURQUOISE / TURQUOISE / TURKISBLAU
BK = NERO / BLACK / NOIR / SCHWARZ	GN = VERDE / GREEN / VERT / GRÜN	OG= ARANCIO / ORANGE / ORANGE / ORANGE	PK= ROSA / PINK / ROSE / ROSA	SR= ARGENTO / SILVER / ARGENT / SILBER
BN = MARRONE / BROWN / MARRON / BRAUN	RD = ROSSO / RED / ROUGE / ROT	VT= VIOLETTO / VIOLET / VIOLET / VIOLETT	GD= ORO / GOLD / OR / GOLD	GNYE= GIALLO/VERDE / YELLOW/GREEN / JAUNE/VERT / GELB/GRÜN



RS 44/1 MZ

BU = BLU / BLUE / BLEU / BLAU	YE = GIALLO / YELLOW / JAUNE / GELB	WH = BIANCO / WHITE / BLANC / WEISS	GY = GRIGIO / GREY / GRIS / GRAU	TD = TURCHESE / TURQUOISE / TURQUOISE / TURKISBLAU
BK = NERO / BLACK / NOIR / SCHWARZ	GN = VERDE / GREEN / VERT / GRÜN	OG = ARANCIO / ORANGE / ORANGE / ORANGE	PK = ROSA / PINK / ROSE / ROSA	SR = ARGENTO / SILVER / ARGENT / SILBER
BN = MARRONE / BROWN / MARRON / BRAUN	RD = ROSSO / RED / ROUGE / ROT	VT = VIOLETTA / VIOLET / VIOLET / VIOLETT	GD = ORO / GOLD / OR / GOLD	GNYE = GIALLO/VERDE / YELLOW/GREEN / JAUNE/VERT / GELB/GRÜN

KEY TO ELECTRICAL LAYOUT

A	- Electrical control box
B	- Radio noise filter
+BB	- Components on burners
+BC	- Components on boiler
C1	- Capacitor
CN1	- Ionisation probe connector
H	- Remote lockout signalling
H1	- Lockout YVPS
IN	- Manual burner stop switch
ION	- Ionisation probe
h1	- Hour counter
K1	- Relay
MV	- Fan motor
PA	- Air pressure switch
PGM	- Maximum gas pressure switch
PGMin	- Low gas pressure switch
Q2	- Single-phase knife switch
RS	- Remote reset button
TA	- Ignition transformer
TL	- Limit thermostat/pressure switch
TS	- Safety thermostat/pressure switch
Y	- Gas regulation valve + gas safety valve
YVPS	- Gas valve leak detection control device
XP2	- Maximum gas pressure switch connector
XP6	- 6-pole socket
XP7	- 7-pole socket
XTB	- Shelf earth
X2	- 2-pin plug
X6	- 6-pin plug
X7	- 7-pin plug

LEYENDA ESQUEMAS ELÉCTRICOS

A	- Caja de control eléctrica
B	- Filtro antiinterferencias radio
+BB	- Componentes a bordo de los quemadores
+BC	- Componentes a bordo de la caldera
C1	- Condensador
CN1	- Conector para sonda de ionización
H	- Señalización de bloqueo a distancia
H1	- Bloqueo YVPS
IN	- Interruptor parada manual del quemador
ION	- Sonda de ionización
h1	- Cuentahoras
K1	- Relé
KM	- Contador motor
MV	- Motor ventilador
PA	- Presostato aire
PGM	- Presostato gas de máxima
PGMin	- Presostato gas de mínima
Q2	- Interruptor seccionador monofásico
RS	- Botón de desbloqueo quemador a distancia
TA	- Transformador de encendido
TL	- Termostato/presostato de límite
TS	- Termostato/presostato de seguridad
Y	- Válvula de regulación gas + válvula de seguridad gas
YVPS	- Dispositivo de control de estanqueidad válvula gas
XP2	- Conector presostato gas de máxima
XP6	- Conector hembra de 6 contactos
XP7	- Conector hembra de 7 contactos
XTB	- Tierra ménsula
X2	- Conector macho de 2 contactos
X6	- Conector macho de 6 contactos
X7	- Conector macho de 7 contactos

LEGENDA ESQUEMAS ELÉCTRICOS

A	- Caixa de controlo eléctrica
B	- Filtro contra radio-interferências
+BB	- Componentes bordo queimadores
+BC	- Componentes bordo caldeira
C1	- Condensador
CN1	- Conector sonda de ionização
H	- Sinalização de bloqueio remoto
H1	- Bloqueio YVPS
IN	- Interruptor paragem manual queimador
ION	- Sonda de ionização
h1	- Conta-horas
K1	- Relé
MV	- Motor ventilador
PA	- Pressostato de ar
PGM	- Pressostato gás de máxima
PGMin	- Pressostato de gás de mínima
Q2	- Interruptor seccionador monofásico
RS	- Botão de desbloqueio queimador a distância
TA	- Transformador de acendimento
TL	- Termóstato/presostato de limite
TS	- Termóstato/presostato de segurança
Y	- Válvula de regulação gás + válvula de segurança gás
YVPS	- Dispositivo de controlo da estanquidade das válvulas gás
XP2	- Conector pressostato gás de máxima
XP6	- Tomada de 6 pólos
XP7	- Tomada de 7 pólos
XTB	- Terra consola
X2	- Ficha de 2 pólos
X6	- Ficha de 6 pólos
X7	- Ficha de 7 pólos

RIELLO

RIELLO S.p.A.
I-37045 Legnago (VR)
Tel.: +39.0442.630111
[http:// www.riello.it](http://www.riello.it)
[http:// www.rielloburners.com](http://www.rielloburners.com)